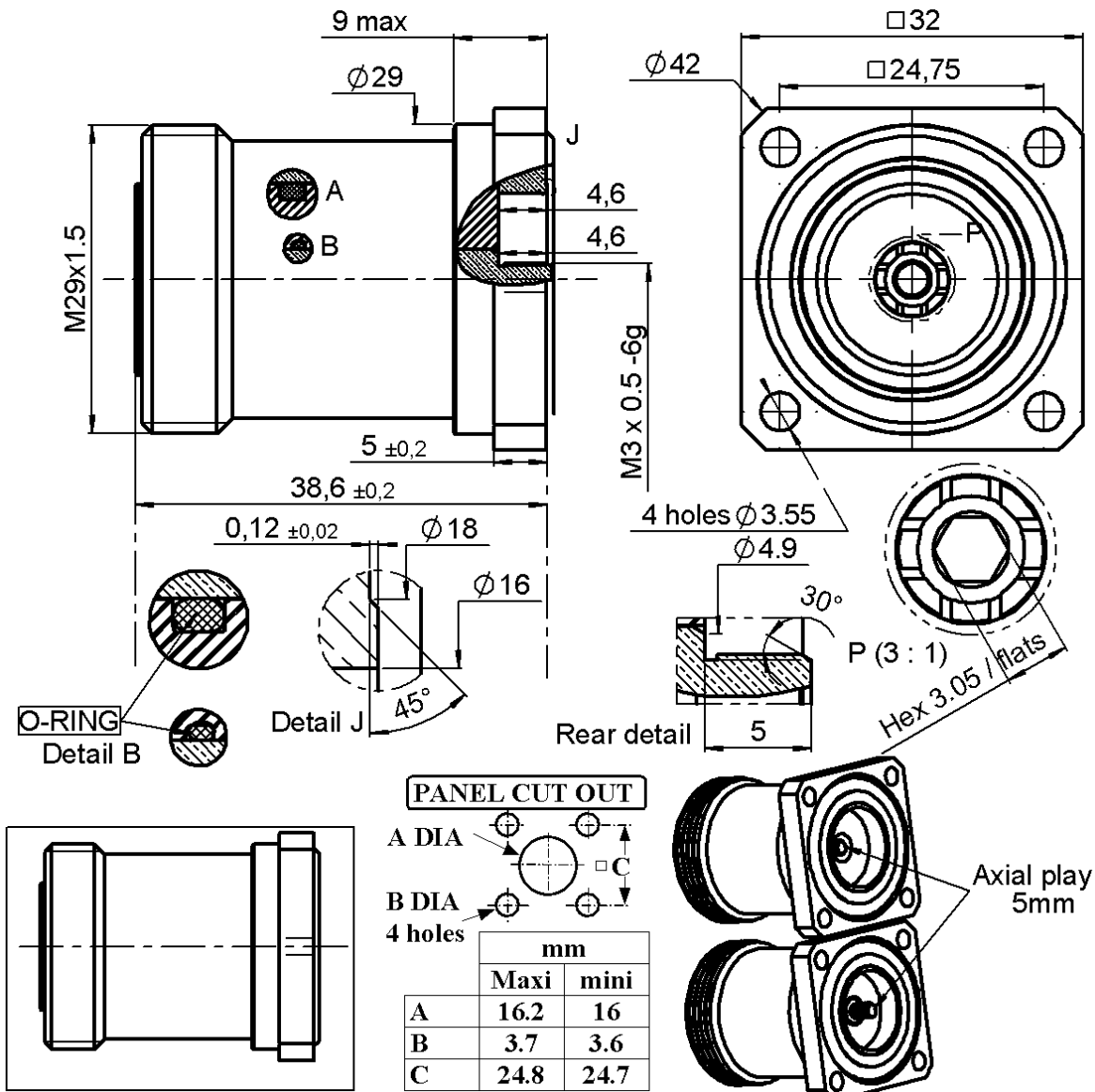


SQUARE FLANGE JACK RECEPTACLE

R185.408.060

COMBINATION SEAL- M3 THREADED CONT P50

Series : 7-16



All dimensions are in mm.

COMPONENTS	MATERIALS	PLATINGS (µm)
BODY	BRASS	BBR-2
CENTER CONTACT	BRONZE	SILVER 5 OVER COPPER 0.5
OUTER CONTACT	BRASS	SILVER 5 OVER COPPER 0.5
INSULATOR	PTFE	
GASKET	SILICONE RUBBER	
OTHERS PARTS		
-	-	
-	-	

Issue : 0341 A

In the effort to improve our products, we reserve the right to make changes judged to be necessary.



SQUARE FLANGE JACK RECEPTACLE

R185.408.060

COMBINATION SEAL- M3 THREADED CONT P50

Series : 7-16

PACKAGING

SPECIFICATION

515-0720 Rev.2

Standard	Unit	Other
50	'W' option	Contact us

ELECTRICAL CHARACTERISTICS

ENVIRONMENTAL

Impedance		50 Ω
Frequency		0-7.5 GHz
VSWR	* +	0.000 x F(GHz) Maxi
Insertion loss		0.05 √F(GHz) dB Maxi
RF leakage	- (NA - F(GHz)) dB Maxi
Voltage rating		1400 Veff Maxi
Dielectric withstanding voltage		4000 Veff mini
Insulation resistance		10000 MΩ mini

Operating temperature	-55/+120 ° C
Hermetic seal	NA Atm.cm3/s
Panel leakage	IP67

OTHERS CHARACTERISTICS

Assembly instruction **NA**

Others :

Coaxial transmission line only
TO BE CONFIRMED

*VSWR (4 to 7.5 GHz) : 1.3 max

Power handling (0-4GHz) : 1.5 kw
TO BE CONFIRMED

IM Performance : -125 dBm maxi
(2 x +43 dBm carriers)

Mating torque to apply on the complementary plug
: 35N

MECHANICAL CHARACTERISTICS

Center contact retention		
Axial force – Mating end	200	N mini
Axial force – Opposite end	NA	N mini
Torque	NA	N.cm mini

Recommended torque		
Mating	NA	N.cm
Panel nut	NA	N.cm

Mating life	500	Cycles mini
Weight	125.900	g

Issue : 0341 A

In the effort to improve our products, we reserve the right to make changes judged to be necessary.



PRELIMINARY