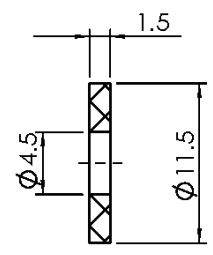
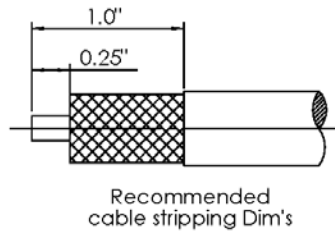
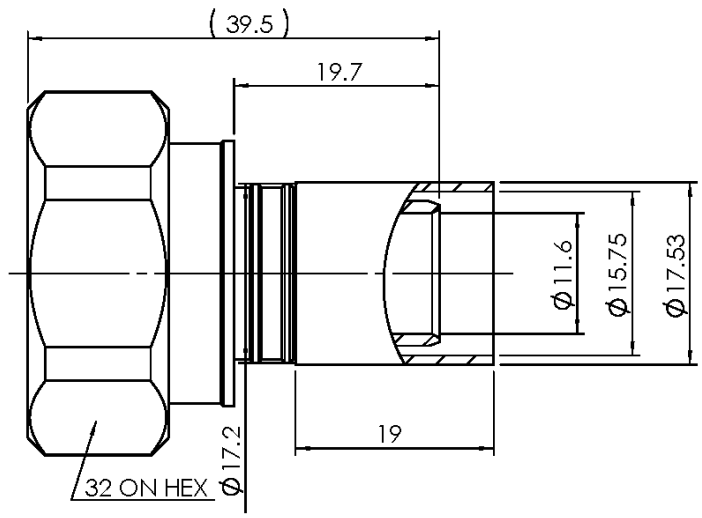


NOTICE OF PROPRIETARY RIGHTS THIS DOCUMENT CONTAINS CONFIDENTIAL TECHNICAL DATA, INCLUDING TRADE SECRETS, PROPRIETARY TO TIMES MICROWAVE SYSTEMS. DISCLOSURE OF THIS DATA IS EXPRESSLY CONDITIONED UPON YOUR ASSENT THAT ITS USE IS LIMITED TO USE WITHIN YOUR COMPANY ONLY. ANY OTHER USE IS STRICTLY PROHIBITED WITHOUT THE PRIOR WRITTEN CONSENT OF TIMES MICROWAVE SYSTEMS.

SYM	REVISION DESCRIPTION	DFTM	DATE	APPD	DATE
A	RELEASED FOR PRODUCTION	K.A.M.	5/23/11	J.D.B.	6/9/11



Reference standard IEC60169-4

I. Electric Performance

Nominal Impedance(Ω): 50
 Frequency Range: DC-3GHz
 VSWR: ≤1.15
 Insert Loss: ≤0.05
 Insulation resistance (MΩ) ≥10000
 Proof voltage (V) 2500
 Conductor resistance (mΩ) outer conductor <0.2
 inner conductor <0.8

II. Mechanical Performance

Nut torque 25N.m
 (Nut)Whorl pull 1000N
 Tensile force(cable-connect) 500N
 Torsion(cable-connect) 5N.m

III. Material and plating :

Inner conductor: Brass Plating Ag5μm
 Outer conductor: Brass Plating Copper-tin-zin 2μm
 Tube: copper Plating Copper-tin-zin 2μm
 Nut: Brass Plating Ni5μm
 Gasket: Silicone rubber
 Insulator: PTFE

IV. Environment

Temp.range -55°C~+155°C
 Weather standard IEC 60068 55 / 155/ 56
 Thermal shock US MIL-STD 202,Meth.107,Cond.B
 Vibration US MIL-STD 202,Meth.204,Cond.B
 Shock US MIL-STD 202,Meth.213,Cond.I
 Waterproofing standard IP68

V. Assembly: inner conductor soldered and outer conductor crimped

VI. ROHS Compliant.

MATL:	UNLESS OTHERWISE SPECIFIED		DFTM. K. A. M.	TIMES MICROWAVE SYSTEMS
	ALL DIMENSIONS ARE IN mm		DATE 5/23/11	
USED ON:			CHKD. J. D. B.	CONNECTOR, 7-16 MALE FOR LMR-600 (TC-600-716M-X)
			DATE 6/9/11	
SCALE: ~	DWG. SIZE A	DO NOT SCALE DRAWING	APPD. J. D. B.	SHEET 1 of 1
			DATE 6/9/11	
		CODE IDENT 68999	DATE 6/9/11	REV A