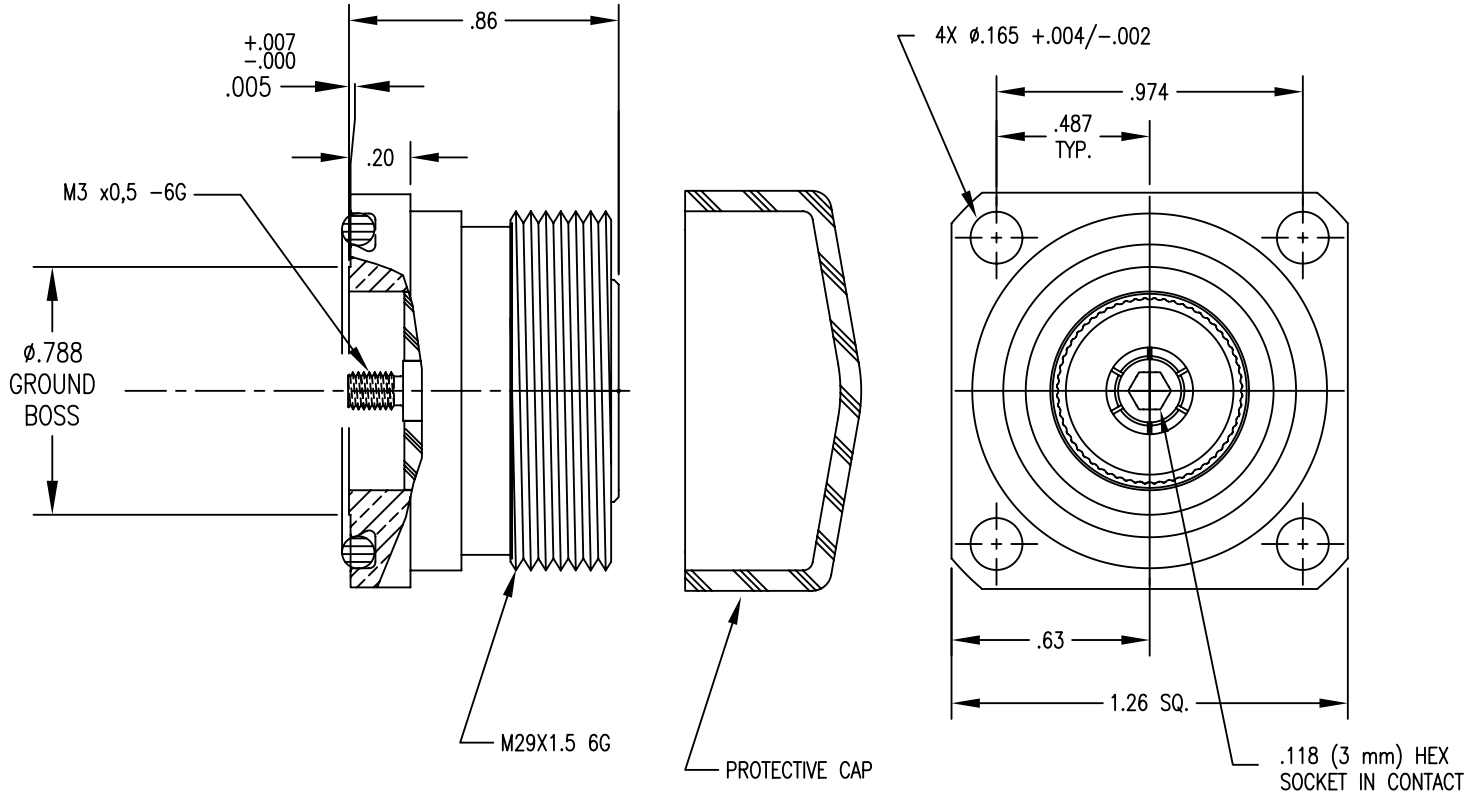


- 1.0 PERFORMANCE (sea level)
- 1.1 FREQUENCY RANGE: DC-7.5GHz
- 1.2 VOLTAGE RATING: 2700Vrms
- 1.3 NOMINAL IMPEDANCE: 50 OHMS
- 1.4 DWV: 4000 V RMS @ 60 Hz
- 1.5 TEMPERATURE RANGE: -55° C TO +155° C
- 1.6 INSULATION RESISTANCE: > 10,000 MEGOHMS
- 1.7 IM3 < -164 dBc (-176dBc TYPICAL)
- 2.0 MATERIALS
- 2.1 DIELECTRICS: PTFE, ASTM-D-1710
- 2.2 CENTER CONTACT: BERYLLIUM COPPER
ASTM-B-169

- 2.3 BODY: BRASS PER ASTM-B-16
- 2.4 O-RING: SILICONE RUBBER, ZZR-765, GR. 70
- 3.0 FINISHES: SEE TABLE
- 4.0 MECHANICAL
- 4.1 TORQUE: CENTER CONTACT MUST NOT ROTATE
WHEN 3 OZ*IN MIN. OF TORQUE IS APPLIED.
- 4.2 INTERFACE IN ACCORDANCE WITH IEC 169-4

DWG NO. OL-1906-41-1 M1		REV. B
PLATING VARIATIONS		
PART NUMBER	BODY	CONTACT/POST
1906-41 M1-AS	ALBALOY	SILVER

DO NOT SCALE DRAWING



Rev.	Revisions	Disp.	Date	Dwn.	Appd.
B	ADD PIM PERFORMANCE	MIX	12/3/07	FSH	FSH
A	ORIGINAL	NEW	5/25/07		

Ref.:	REMOVE ALL BURRS AND SHARP EDGES .005 MAX.	INTERPRET PER ASME Y14.5M-1994
-------	--	--------------------------------

THIS DRAWING CONTAINS CONFIDENTIAL INFORMATION PROPRIETARY TO SAN-TRON INC. IT MUST NOT BE REPRODUCED OR DISCLOSED TO OTHERS OR USED IN ANY OTHER WAY, IN WHOLE OR PART EXCEPT AS AUTHORIZED IN WRITING BY SAN-TRON INCORPORATED.

UNLESS OTHERWISE SPECIFIED:
ALL DIMENSIONS ARE IN INCHES.
ALL DIMENSIONS ARE AFTER PLATING.
.XXX= ± 0.005 ALL MACHINED SURFACES $\sqrt{32}$ MAX.
.XX= ± 0.01 ANG. $\pm 1/2^\circ$ FRACTIONAL= $\pm 1/64$
◎ .004 MAX. TIR L AXIS .001

THIRD ANGLE PROJECTION

DWN	LAP	12/20/05
CHKD	SJS	12/20/05
APPR	FSH	12/20/05

SAN-TRON, INC.
 4 NEWBURYPORT TPK. IPSWICH MA USA 01938
 TEL: 978 - 356 -1585 FAX: 978 - 356 -1573
 WWW.santron.com E MAIL: santron@santron.com

TITLE 7/16 PANEL RECEPTACLE, STRAIGHT

MATERIAL:	SEE NOTES	FINISH:	SEE NOTES
CAGE CODE:	50896	DWG NO.	OL-1906-41-1 M1
SCALE	X:X	REV.	B