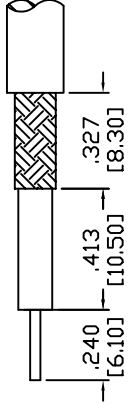
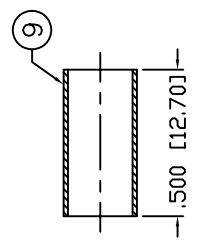
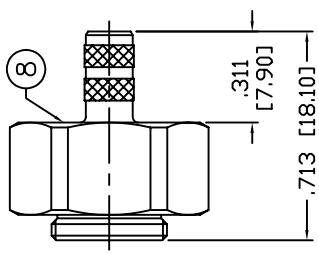
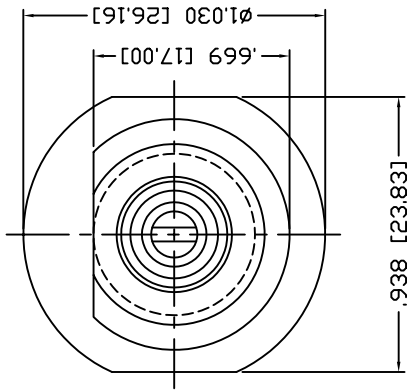
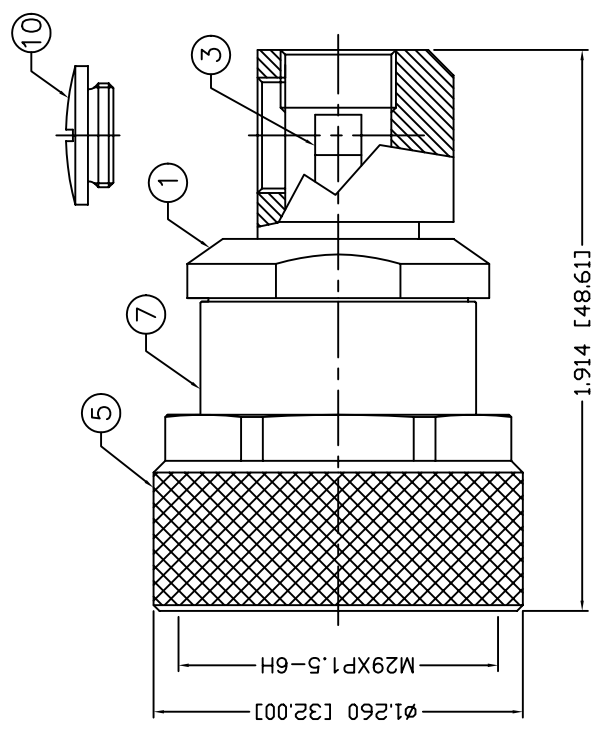


# PART NO. RFD-1605-2-C1

REV	DESCRIPTION	DWN	DATE	APPROVED
-	ENGINEERING RELEASE	CZS	9/15/04	JDMc

THIS DRAWING CONTAINS INFORMATION PROPRIETARY TO RF INDUSTRIES. ANY UNAUTHORIZED USE OF THIS DRAWING IS EXPRESSLY PROHIBITED WITHOUT WRITTEN PERMISSION FROM RF INDUSTRIES. ANY VIOLATION IS PUNISHABLE UNDER U.S. COPYRIGHT LAWS.

ALL DIMENSIONS ARE REFERENCE ONLY



## SPECIFICATIONS:

IMPEDANCE: 50 Ohms  
 FREQUENCY RANGE: 0-7.5 GHz  
 PEAK POWER: 13.2 Kw max.  
 AVERAGE POWER: 3.0 Kw max.  
 TEMPERATURE RANGE: -55°C TO 150°C  
 FOR RG-55, 55A, 55B, 142, 142A, 142B, 223 & 400/U,  
 ALPHA 9055, 9055B, 9223, BELDEN 8219, 83242, 84142

RECOMMENDED CRIMP DIE: .213" RECOMMENDED STRIPPING DIMENSIONS

UNLESS OTHERWISE SPECIFIED:		7610 MIRAMAR RD SAN DIEGO, CA 92126 (858) 549-6340 (858) 549-6345 FAX DIVISION OF RF INDUSTRIES, LTD.			
DIMENSIONS ARE IN INCHES AND [MILLIMETERS] UNLESS OTHERWISE NOTED TOLERANCES ARE: DECIMALS		R/A-STRAIGHT COMBO			
1 BODY	1 BRASS	SILVER, 120 μ	008974		
2 INSULATOR	1 PTFE	---			
3 PIN	1 BRASS	SILVER, 200 μ			
4 GASKET	1 SILICONE	---			
5 SHELL	1 BRASS	SILVER, 120 μ			
6 GASKET	1 SILICONE	---			
7 GROUND RING	1 BRASS	SILVER, 120 μ			
8 FERRULE STUD	1 BRASS	SILVER, 120 μ			
9 FERRULE	1 BRASS	SILVER, 120 μ			
10 COVER	1 BRASS	SILVER, 120 μ			
11			2/8/05		
12			C. ZUNIGA		
13			CHECKED		
14			ORJ DRAWN		
			C. ZUNIGA		
			2/8/05		
# DESCRIPTION	QTY	MATERIAL	FINISH	APPROVALS	DATE

# RFconnectors

## 7/16 PLUG, CRIMP

SIZE	CABLE GROUP	DWG NO.	REV
A	C1	RFD-1605-2-C1	-
SCALE:	NTS	CAD FILE	OUTLINE
		SHEET	1 OF 1