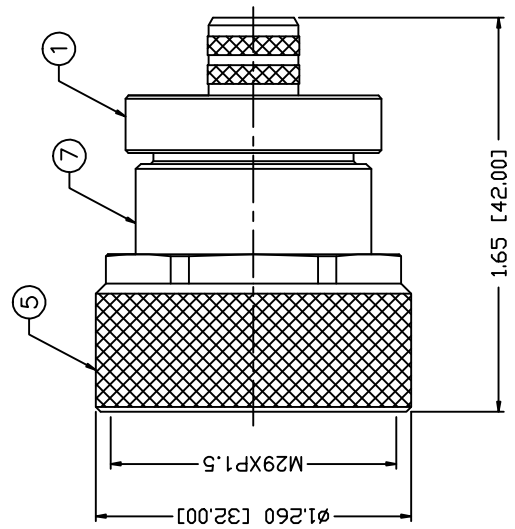


<b>PART NO. RFD-1604-2I</b>			
REV	DESCRIPTION	DWN	DATE
-	ENGINEERING RELEASE	CZS	8/22/00
A	ADDED NOTE	JDM	2/21/14
B	CHNG LENGTH BY 2mm CHANGED STRIP DIM	JDM	2/26/14

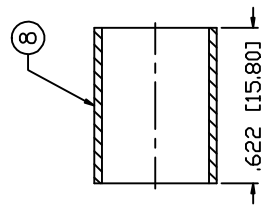
THIS DRAWING CONTAINS INFORMATION PROPRIETARY TO RF INDUSTRIES, ANY UNAUTHORIZED USE OF THIS DRAWING IS EXPRESSLY PROHIBITED WITHOUT WRITTEN PERMISSION FROM RF INDUSTRIES. ANY VIOLATION IS PUNISHABLE UNDER U.S. COPYRIGHT LAWS.

ALL DIMENSIONS ARE REFERENCE ONLY



**SPECIFICATIONS:**

IMPEDANCE: 50 Ohms  
 FREQUENCY RANGE: 0-7.5 GHz  
 PEAK POWER: 13.2 Kw max.  
 AVERAGE POWER: 3.0 Kw max.  
 TEMPERATURE RANGE: -55°C TO 165°C  
 FOR BELDEN 8214, 9913, 9914,  
 LMR-400 CABLE



RECOMMENDED CRIMP DIE .429"

RECOMMENDED STRIPPING DIMENSIONS

FOR SOLD CENTER CONDUCTOR ONLY

1 FERULE STUD SILVER, 120μ"		008974	
2 INSULATOR	1 PTFE		
3 PIN	1 Be.Cu.		
4 GASKET	1 SILICONE		
5 SHELL	1 BRASS		
6 GASKET	1 SILICONE		
7 BODY	1 BRASS		
8 FERRULE	1 BRASS		
9			
10			
11			
12			
13			
14			
# DESCRIPTION	QTY	MATERIAL	FINISH
UNLESS OTHERWISE SPECIFIED: 1. REMOVE ALL BURRS 2. BREAK ALL CORNERS & EDGES .005 R. MAX. 3. CHAMFER 1ST & LAST THREADS 45° 4. SURFACE ROUGHNESS 63 FINISH MIL-STD-10 5. DIAMETERS ON COMMON CENTERS TO BE CONCENTRIC WITHIN .002 T.I.R. 6. ALL DIMENSIONS ARE AFTER PLATING. DIMENSIONS ARE IN INCHES AND [MILLIMETERS] UNLESS OTHERWISE NOTED TOLERANCES ARE: DECIMALS .XXX±.001 [.03] .XX±.003 [.08] .XX±.005 [.13]			
DRAWN		2/12/02	
C. ZUNIGA			
CHECKED			
ORU DRAWN		2/12/02	
C. ZUNIGA			
APPROVALS		DATE	
RF connectors DIVISION OF RF INDUSTRIES, LTD. 7610 MIRAMAR RD SAN DIEGO, CA 92126 (858) 549-6340 (858) 549-6345 FAX			
SIZE A LMR-400		DWG NO. RFD-1604-2I	
CAPTIVATED PIN		REV B	
SCALE: NTS		CAD FILE OUTLINE	
SHEET 1 OF 1			