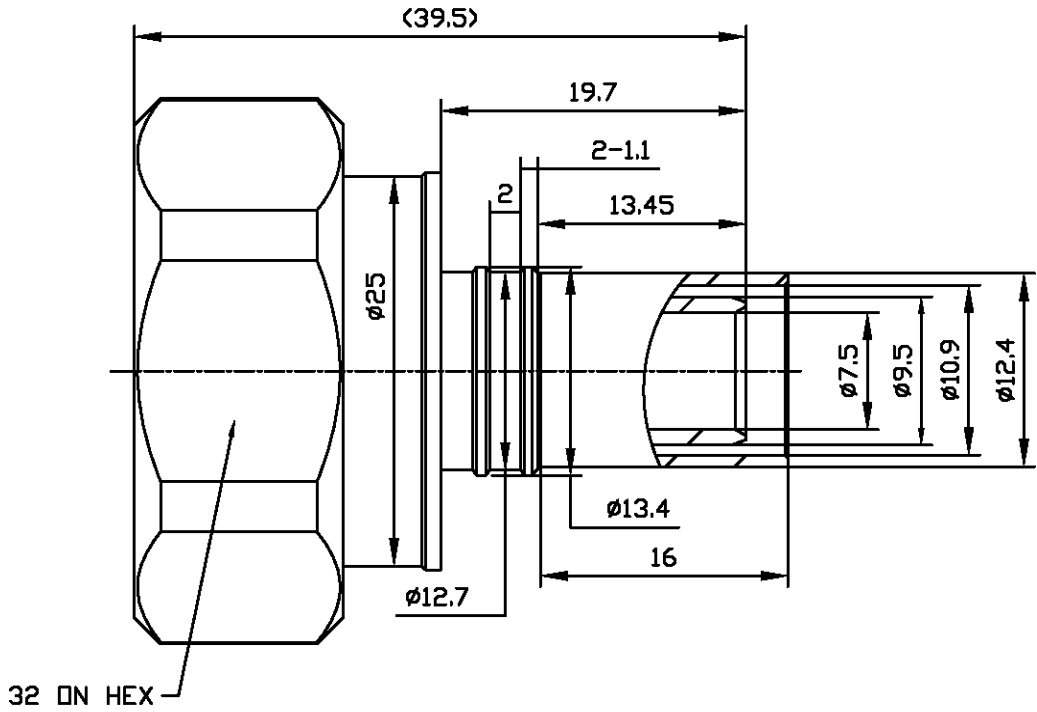


NOTICE OF PROPRIETARY RIGHTS THIS DOCUMENT CONTAINS CONFIDENTIAL TECHNICAL DATA, INCLUDING TRADE SECRETS, PROPRIETARY TO TIMES MICROWAVE SYSTEMS. DISCLOSURE OF THIS DATA IS EXPRESSLY CONDITIONED UPON YOUR ASSENT THAT ITS USE IS LIMITED TO USE WITHIN YOUR COMPANY ONLY. ANY OTHER USE IS STRICTLY PROHIBITED WITHOUT THE PRIOR WRITTEN CONSENT OF TIMES MICROWAVE SYSTEMS.

SYM	REVISION DESCRIPTION	DFTM	DATE	APPD	DATE
A	RELEASED FOR PRODUCTION	K.A.M.	2/12/10	J.D.B.	3/1/10



O-ring	Silicone Rubber	————
Circlip	SUS304	————
Tube	T2	Copper -zin-tin 2μm
Nut	C3603	Ni5μm
Insulator	Insulator	————
Pin	QBe2	Ag5μm
Body	C3603	Copper -zin-tin 2μm
Name	Material	Finishing

MATERIAL:	UNLESS OTHERWISE SPECIFIED ALL DIMENSIONS ARE IN mm	DFTM. K. A. M.	TIMES MICROWAVE SYSTEMS				
		DATE 2/12/10					
USED ON:	DO NOT SCALE DRAWING	CHKD. J. D. B.		CONNECTOR, 7/16 MALE FOR LMR-400			
		DATE 3/1/10					
		APPD. J. D. B.					
SCALE: ~	DWG. SIZE A	CODE IDENT 68999	DATE 3/1/10		SHEET 1 of 1	SD3190-2524	REV. A