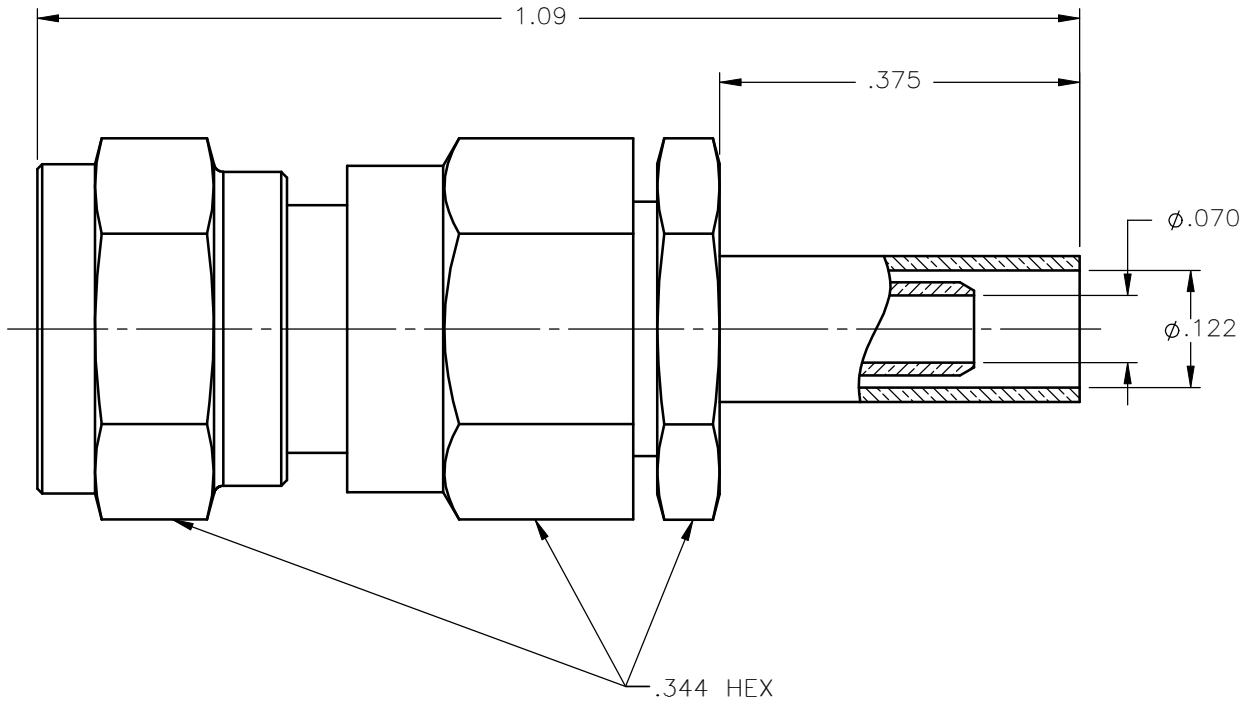
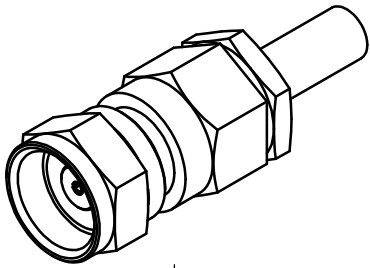


REVISIONS			
REV.	DESCRIPTION	DATE	APPROVED
A	ECO #7713	09/17/09	A.D.M.



NOTES:


MATERIALS:

1. INSULATORS = VIRGIN WHITE TEFLON PER ASTM D1710, GRADE 1, TYPE I, CLASS "B".
2. CONTACT = BERYLLIUM COPPER PER ASTM B196, ALLOY C17300, TEMPER TD04.
3. CRIMP SLEEVE = SEAMLESS LOWLEAD BRASS TUBE, ALLOY 330, SOFT ANNEAL TEMPER, .025/.060 GRAIN SIZE OR SEAMLESS COPPER TUBE PER ASTM B75, TYPE C12000, TEMPER: LIGHT ANNEAL O50 EXCEPT YIELD STRENGTH.
4. ALL OTHER METAL PARTS = BRASS PER ASTM B16, ALLOY C36000, TEMPER H02.

FINISHES:

1. CONTACT = GOLD PLATE PER MIL-G-45204, TYPE II, CLASS 1, GRADE C, OVER .00010 TO .00020 STRESS FREE SULFAMATE NICKEL PER QQ-N-290.
2. ALL OTHER METAL PARTS = GOLD PLATE PER MIL-G-45204, TYPE II, CLASS 0, GRADE C, OVER .00010 TO .00020 COPPER STRIKE PER MIL-C-14550.

Property of Radiall Incorporated
 This document cannot be reproduced or
 communicated to a third party without prior
 written permission of RADIALL Incorporated.

UNLESS OTHERWISE SPECIFIED DIMENSIONS ARE IN INCHES TOLERANCES ON	DWN:	DATE	 APPLIED ENGINEERING PRODUCTS 104 John W. Murphy Dr. New Haven, CT 06513 a RADIALL company
	A.D.M.	09/17/09	
DECIMAL	ANGLE	CHKD:	DATE
		D.N.	09/17/09
		APVD:	DATE
		J.M.	09/17/09
REFERENCE:	MATERIALS & FINISHES:		75 OHM STRAIGHT SCREW-ON FEMALE PLUG CRIMP TYPE FOR RG-316 & SIMILAR CABLES
ORIGINATED: D.N. DATE: 01/30/96	SEE NOTES		SIZE A FSCM NO. 19505 DWG NO. 1702-1571-003 REV A SCALE 5:1 THIRD ANGLE PROJECTION SHEET 1 OF 1

1702-1571-003