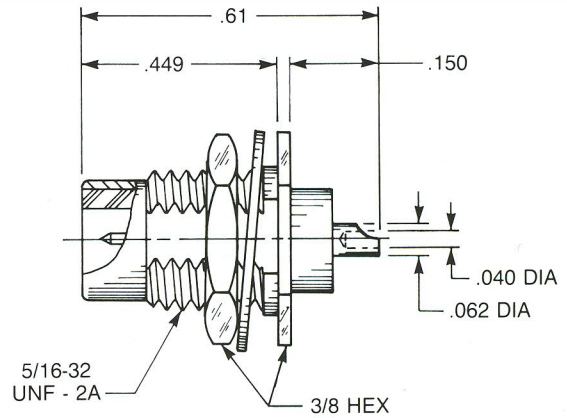


SCREW-ON MATING

**Straight Male Bulkhead Jack Receptacle**

- Solder pot contact
- Rear mount

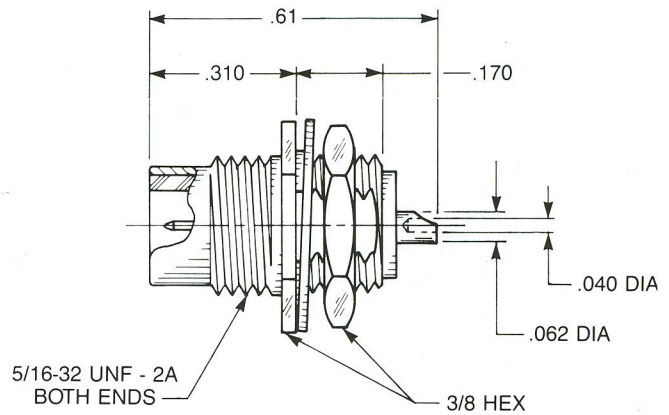
1704-1511-000 (Gold plated)  
 1704-7511-000 (Nickel plated)



**Straight Male Bulkhead Jack Receptacle**

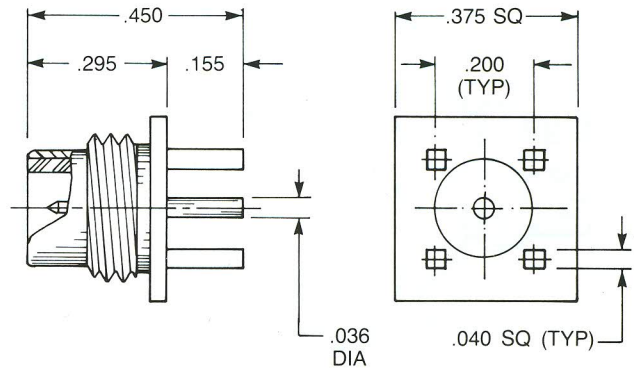
- Solder pot contact
- Front mount

1719-1511-000 (Gold plated)  
 1719-7511-000 (Nickel plated)



**Straight Male P.C. Board Receptacle**

1709-1511-000 (Gold plated)  
 1709-7511-000 (Nickel plated)



**Right Angle Male P.C. Board Receptacle**

1710-1511-000 (Gold plated)  
 1710-7511-000 (Nickel plated)

