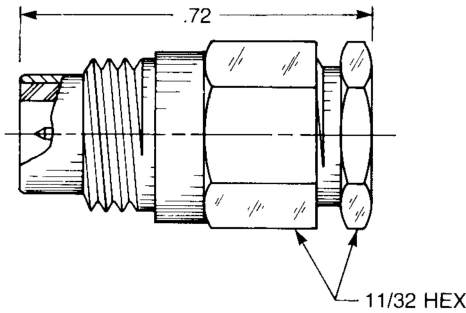


75Ω Screw-on Cable Jacks

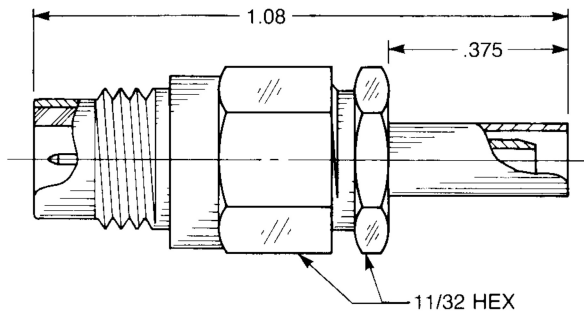
Click on connector picture to go directly to cable assembly instructions

Straight Jacks



Straight Male Cable Jack

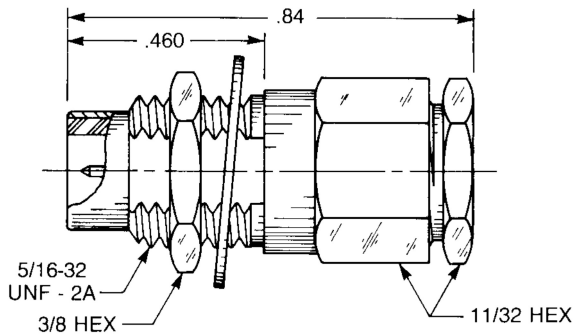
Clamp type for flexible cable:
 1701-1551-0XX (Gold plated)
 1701-7551-0XX (Nickel plated)



Straight Male Cable Jack

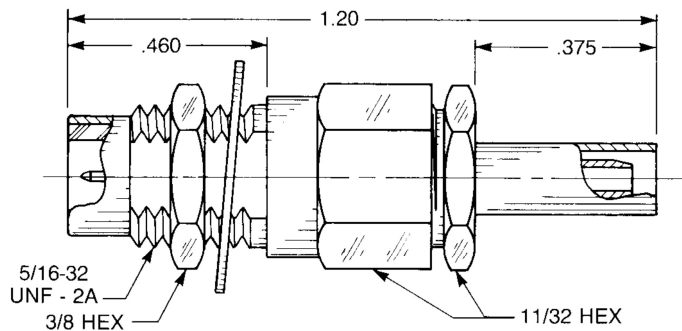
Crimp type for flexible cable:
 1701-1571-0XX (Gold plated)
 1701-7571-0XX (Nickel plated)

Bulkhead Mounted Jacks



Straight Male Bulkhead Cable Jack

Clamp type for flexible cable:
 1703-1551-0XX (Gold plated)
 1703-7551-0XX (Nickel plated)



Straight Male Bulkhead Cable Jack

Crimp type for flexible cable:
 1703-1571-0XX (Gold plated)
 1703-7571-0XX (Nickel plated)

Substitute the appropriate cable group number for "XX" when ordering:

GROUP	CABLE TYPES	GROUP	CABLE TYPES	GROUP	CABLE TYPES
03	RG174, RG179, RG316, M17/113, M17/119, M17/172, M17/189	04	RG180, RG195, M17/95	07	RG59, RG62, M17/29, M17/30



APPLIED ENGINEERING PRODUCTS

(203) 776-2813 • FAX (203) 776-8294

www.aepconnectors.com • aepsales@aepconnectors.com