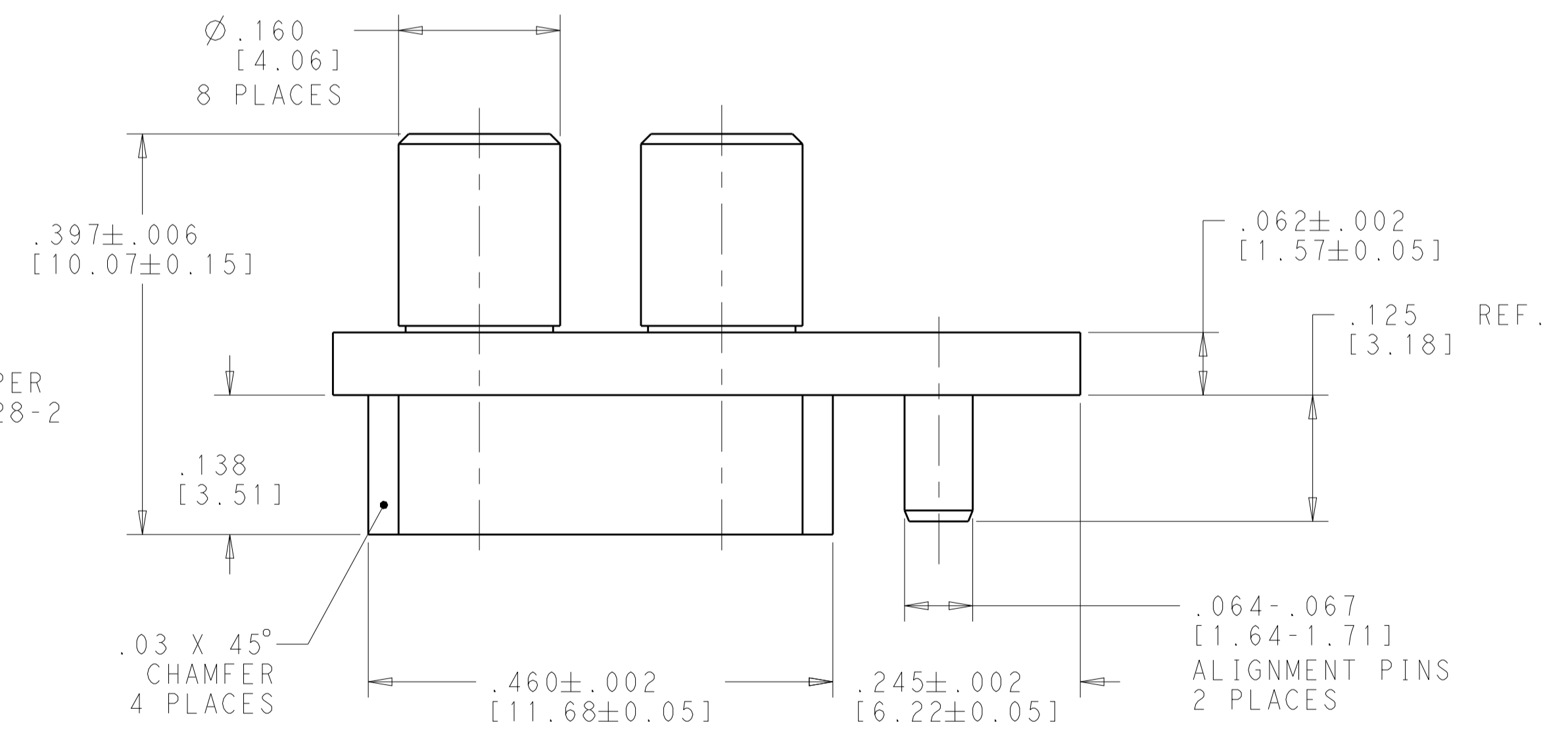
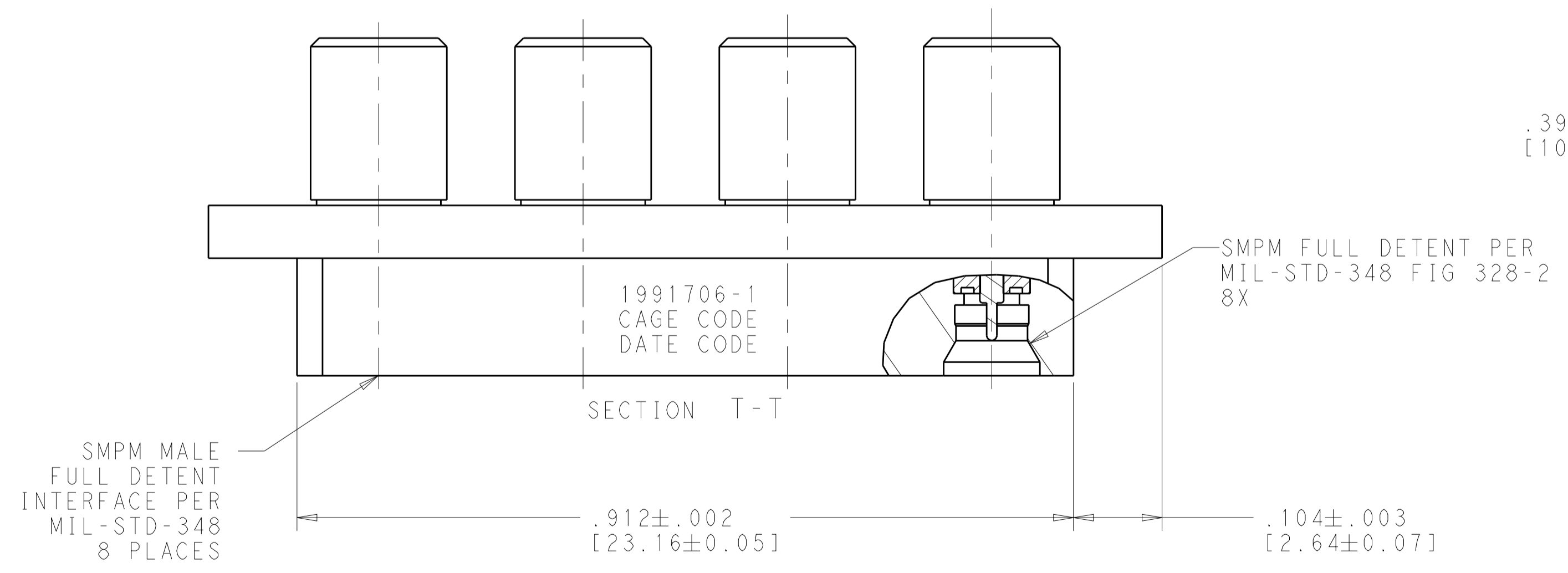
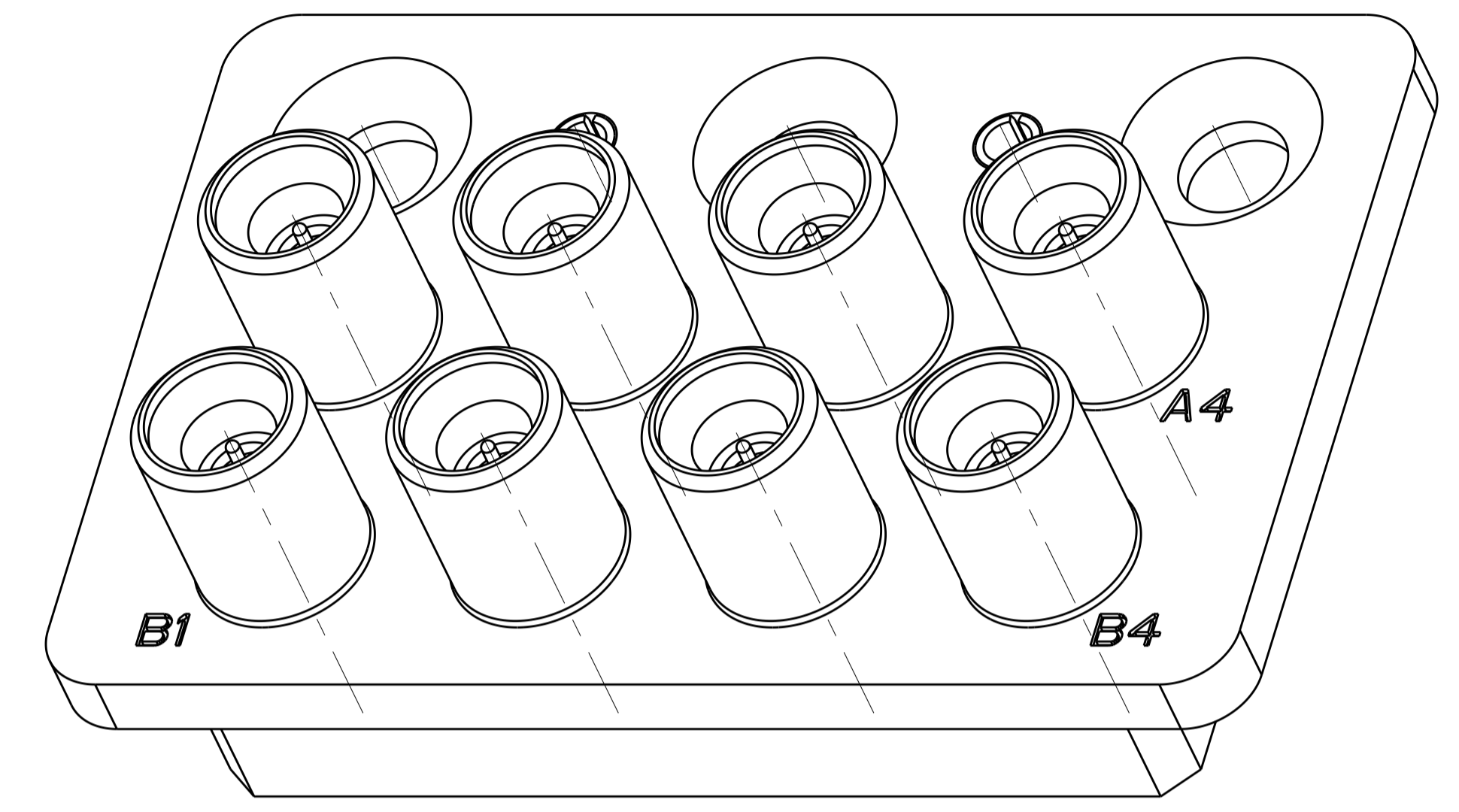
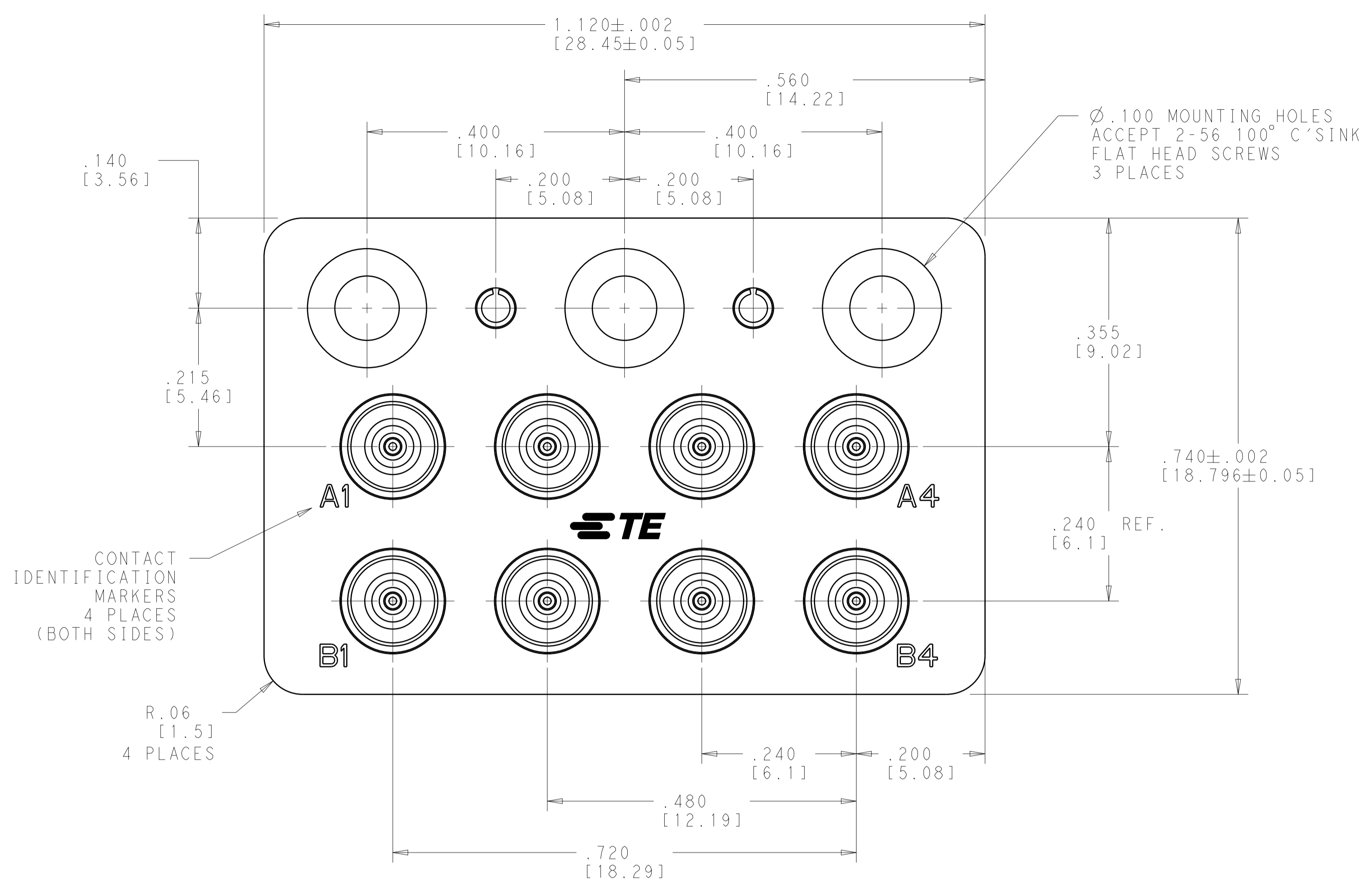


LOC		DIST		REVISIONS			
				DESCRIPTION	DATE	DWN	APVD
J				REV PER ECO 16-014836	11-11-16	CT	DW



- MATERIAL:  
 SMOOTHBORE SMPM CONNECTOR BODY & CENTER CONTACT - BERYLLIUM COPPER,  
 ALLOY UNS C17300 CONDITION TD04, PER ASTM B196.  
 INSULATORS - TEFLON (PTFE) ROD, PER ASTM D 1710.  
 MODULE BODY - STAINLESS STEEL, PER UNS S30300  
 SLOTTED SPRIN PIN - NICKEL STAINLESS STEEL

- FINISH:  
 SMOOTHBORE SMPM CONNECTOR BODY & CENTER CONTACT - GOLD PLATE OVER NICKEL  
 MODULE BODY & SLOTTED PIN - PASSIVATED

3 SMPM MALE SMOOTH BORE INTERFACE PER MIL-STD-348, EXCEPT AS NOTED.

1996706-1  
 PART NUMBER

THIS DRAWING IS A CONTROLLED DOCUMENT.		DWN S.T. Morley 29MAY2009	TE Connectivity NAME 8 POSITION R.F. MODULE P.C.B. MOUNT - BACKPLANE VITA67, SIZE CAGE CODE DRAWING NO RESTRICTED TO A100779C=1996706 WEIGHT - CUSTOMER DRAWING SCALE 8:1 SHEET 1 OF 1 REV J
DIMENSIONS: INCHES/mm	TOLERANCES UNLESS OTHERWISE SPECIFIED:	CHK S.T. Morley 29MAY2009	
0 PLC ±. 1 PLC ±.1 2 PLC ±.01 3 PLC ±.001 4 PLC ±.0005 ANGLES ±1.0°	PRODUCT SPEC APPLICATION SPEC	APVD S.T. Morley 29MAY2009	
MATERIAL NOTE 1	FINISH NOTE 2	REVISIONS	