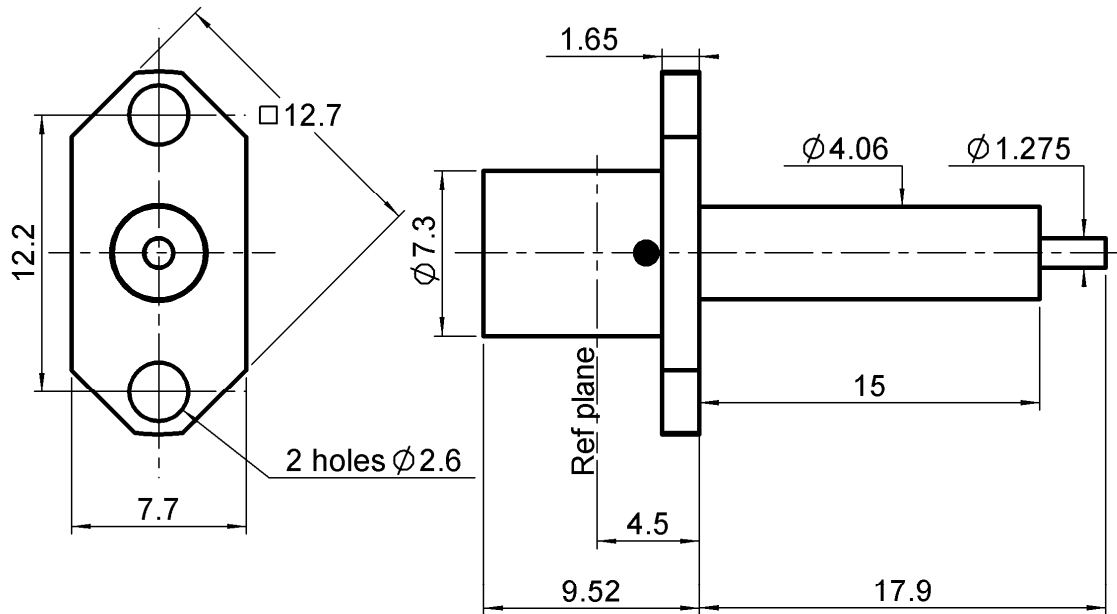


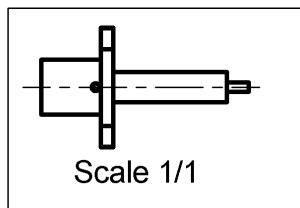
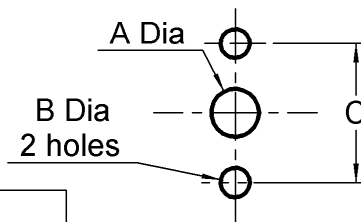
**ADJUST.2 HOLES FLANGE JACK RECEPTACLE
WITH CYLINDRICAL CONTACT.**

R128.464.701

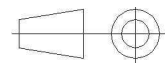
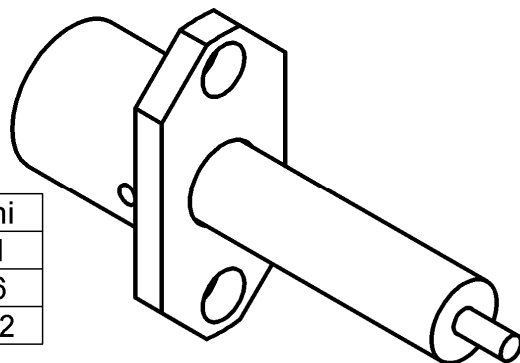
Series : BMA



PANEL DRILLING



	maxi	mini
A	4.14	4.1
B	2.8	2.6
C	12.3	12.2



All dimensions are in mm.

COMPONENTS	MATERIALS	PLATING (µm)
BODY	STAINLESS STEEL	PASSIVATION
CENTER CONTACT	BERYLLIUM COPPER	GOLD 1.3 OVER NICKEL2
OUTER CONTACT	BERYLLIUM COPPER	NPGR
INSULATOR	PTFE	
GASKET	-	-
OTHERS PARTS	-	-
-	-	-
-	-	-

Issue : 0941 C

In the effort to improve our products, we reserve the right to make changes judged to be necessary.



**ADJUST.2 HOLES FLANGE JACK RECEPTACLE
WITH CYLINDRICAL CONTACT.**

R128.464.701

Series : **BMA**

PACKAGING

Standard	Unit	Other
100	'W' option	Contact us

SPECIFICATION

ELECTRICAL CHARACTERISTICS

Impedance		50	Ω
Frequency		0-22	GHz
VSWR	1.25* +	0,0000	x F(GHz) Maxi
Insertion loss		0.07	\sqrt{F} (GHz) dB Maxi
RF leakage	- (80	- F(GHz)) dB Maxi
Voltage rating		500	Veff Maxi
Dielectric withstanding voltage		1500	Veff mini
Insulation resistance		5000	M Ω mini

CABLE ASSEMBLY

Stripping	a	b	c	d	e	f
mm	0,00	0,00	0,00	0,00	0,00	0,00

Assembly instruction :

Recommended cable(s)

Characteristics indicated on this data sheet are those that can be achieved with the highest performance cable. Intrinsic limitations of the cable may diminish the performance of the assembly

Cable retention

- pull off	NA	N mini
- torque	NA	N.cm

MECHANICAL CHARACTERISTICS

Center contact retention		
Axial force – Mating end	27	N mini
Axial force – Opposite end	27	N mini
Torque	NA	N.cm mini

Recommended torque		
Mating	NA	N.cm
Panel nut	NA	N.cm
Clamp nut	NA	N.cm
A/F clamp nut	0,0000	mm

Mating life	1000	Cycles mini
Weight	2,9920	g

TOOLING

Part Number	Description	Hexagon
.	.	.

OTHER CHARACTERISTICS

*from 0 to 10 Ghz

ENVIRONMENTAL

Operating temperature	-65/+165	$^{\circ}$ C
Hermetic seal	NA	Atm.cm3/s
Panel leakage	NA	

Issue : **0941 C**

In the effort to improve our products, we reserve the right to make changes judged to be necessary.

