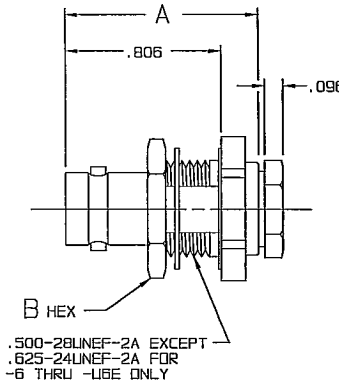


DATA CONTAINED IN THIS DOCUMENT IS PROPRIETARY TO TROMPETER ELECTRONICS INC. AND SHALL NOT BE DISCLOSED, COPIED OR USED FOR REPRODUCTION OR MANUFACTURE WITHOUT EXPRESS WRITTEN PERMISSION.

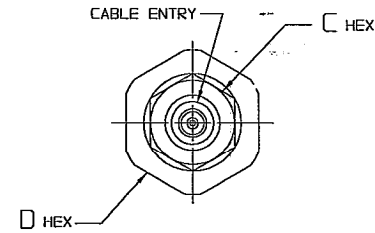
REVISIONS			1-0126	SH 1	
REV	ECO	DESCRIPTION	DWN	APPROVED	DATE
U	16244	REVISED PER ECO 16244	L.M.	MMC	10/19/68

DASH NO	FIG	CABLES ACCOMMODATED	A DIM	B HEX	C HEX	D HEX	E DIM	F DIA	ASSEMBLE PER
-1	1,3	RG-58, 142,400	1.000	.625	.437	.687	.221	.510	
-U1		ESSEX 621-715							
-2		RG-59							
-U2									
-2A		BELDEN 8279							
-U2A									
-2B		W.E.CO. 730A							
-U2B									
-3		RG-223							
-U3									
-3A		RG-55							
-U3A									
-4		RG-122							
-U4		BELDEN 8218							
-5		RG-174							
-U5	RG-187								
-5A	RG-196								
-U5A									
-5B	HEWLETT-PACKARD 8120-1107								
-U5B									
-6	1	BELDEN 9231	1.030	.750	.500	.750	.284	.635	TAI-101
-U6		RG-5							
-6E		RG-6							
-U6E									
-21		RG-303, RG-141							
-U21									
-22		RG-180							
-U22									
-31		GRUMMAN GC875GP1							
-U31		RG-187 DBL SHLD							
-34		BELDEN 8228							
-U34									
-36		275-3991 MICRODOT							
-U36		616-569 AMPEX							
-37		B10 RAYCHEM							
-U37									
-41	RG-304								
-U41	9248 BELDEN								
-44	BRAND-REX B749								
-U44	GORE C06C032								
-51	1	89281 BELDEN	1.030	.750	.500	.750	.284	.635	
-U51									
-52		89120 BELDEN							
-U52									
-53	1,3	89555 BELDEN	1.000	.625	.437	.687	.221	.510	
-U53									
-63		734A, AT&T							
-U63									
-086	2	RG-405	1.000	.625	.437	.687	.221	.510	TAI-130
-U086		RG-402							
-U141									

FIG 1
-1 SHOWN



RED INDICATES ORIGINAL



INCH	MM
.005	0.13
.096	2.44
.125	3.18
.218	5.54
.221	5.61
.250	6.35
.281	7.14
.284	7.21
.312	7.92
.437	11.10
.500	12.70
.505	12.83
.510	12.95
.625	15.88
.630	16.00
.635	16.13
.687	17.45
.750	19.05
.806	20.47
1.000	25.40
1.030	26.16
1.406	35.71
1.846	46.89

FIG 2
-086 SHOWN

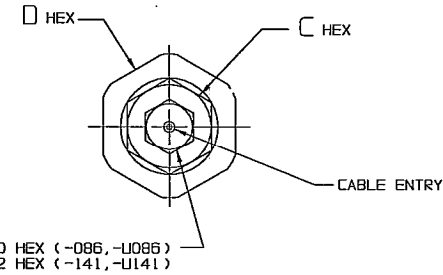
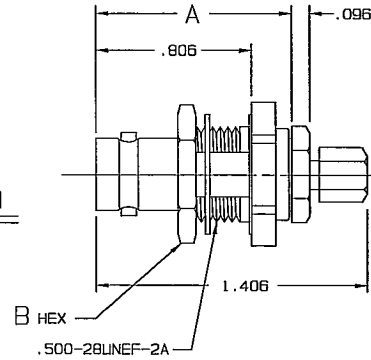
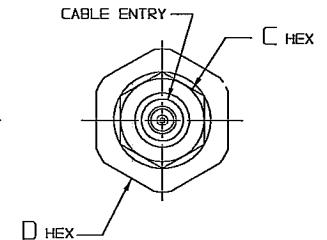
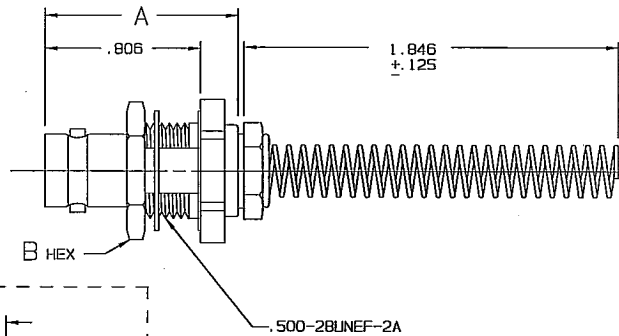
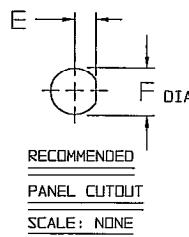


FIG 3
-1 SHOWN



IF BEND RELIEF SPRING REQUIRED (FIG 3) ADD SUFFIX "BR" TO MODEL NO (NOT AVAILABLE WITH CABLE GROUPS -6, -U6, -6E, -U6E, -51, -U51, -52, -U52 -63, -U63, -086, -U086, -141 & -U141)

5. FEMALE TYPE BNC COAXIAL BULKHEAD JACKS, BOTH 50 & 75 OHM VERSIONS
4. MAX PANEL THK .218
3. DASH NO DENOTES CABLE GROUP EXCEPT "U" PREFIX DENOTES 75 OHM VERSION
2. FINISH: TFS-1A (NICKEL)
1. ALL DIM ARE IN INCHES



QTY	DESCRIPTION	PART NUMBER	ITEM
155-0347	TOL UNLESS SPECIFIED		
155-0338	.XX ±		
155-0297	.XXX ± .005		
155-0280	.XXXX ±		
105-1016	ANGLE ±		
105-1004	DWN L.M. 10-5-06	TROMPETER ELECTRONICS, INC.	B.J29/U.B.J29 B.J29BR/U.B.J29BR
105-0158	CHK ENGR <i>gl</i> 10-6-68	MATERIAL CODE IDENT	14949
110-0003	APPR <i>Amidol</i>	DRAWING NO.	1-0126
105-0717	NEXT ASSY	REV	U
		SCALE 2/1	DATE 12/31/68 SHEET 1 OF 2