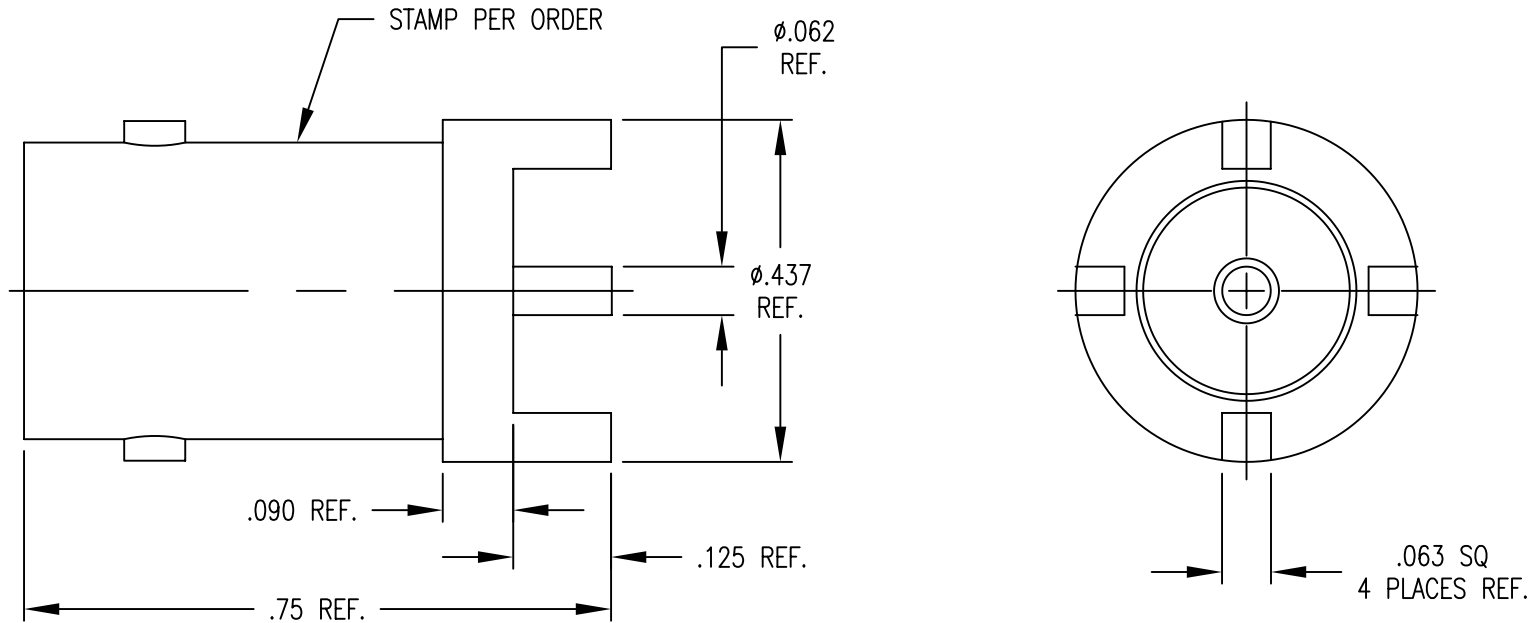


- 1.0 PERFORMANCE
- 1.1 FREQUENCY RANGE: DC-4 GHz
- 1.2 VOLTAGE RATING: 500V RMS (sea level)
- 1.3 NOMINAL IMPEDANCE: 50 OHMS
- 1.4 DWV: 1500 V RMS @ 60 Hz (sea level)
- 1.5 TEMPERATURE RANGE: -65°C TO +165°C
- 2.0 MATERIALS

- 2.1 DIELECTRIC: TEFLON, ASTM-D-1710
- 2.2 CENTER CONTACT: BERYLLIUM COPPER ASTM-B-196
- 2.3 OTHER METAL PARTS: BRASS PER ASTM-B-16
- 3.0 FINISHES
- 3.1 CENTER CONTACT: SILVER PLATED
- 3.2 ALL OTHER METAL PARTS: NICKEL PLATED
- 4.0 MECHANICAL
- 4.1 INTERFACE: IN ACCORDANCE WITH MIL-STD-348



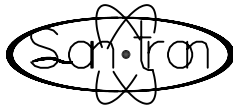
| | | | | | |
|------|-------------------|----------|----------|-------|--|
| | | | | | |
| A | ORIGINAL | 11/30/00 | | | |
| Rev. | Revisions | Date | Dwn. | Appd. | |
| | RECOM. STOCK SIZE | FT/M PCS | QTY REQD | | |

PROPRIETARY
THIS DRAWING CONTAINS CONFIDENTIAL INFORMATION
PROPRIETARY TO SAN*TRON INC. IT MUST NOT BE
REPRODUCED OR DISCLOSED TO OTHERS OR USED IN
ANY OTHER WAY, IN WHOLE OR PART EXCEPT AS
AUTHORIZED IN WRITING BY SAN*TRON INCORPORATED.

REMOVE ALL BURRS AND SHARP
EDGES .005 MAX.
UNLESS OTHERWISE STATED
ALL DIMENSIONS ARE IN INCHES
AND APPLY AFTER PLATING

| | | | |
|------------------|------|-----|----------|
| UNSPECIFIED TOL. | DWN | JMB | 5/22/00 |
| DEC. ± .005 | CHKD | SJS | 11/27/00 |
| FRAC. ± 1/64 | APPR | | |
| ANG. ± 1/2° | | | |

CONCENTRICITY .004 TIR 63/ ✓
ALL MACHINED SURFACES


SAN • TRON, INC.
 4 NEWBURYPORT TPK, IPSWICH, MA 01938

| | |
|--|-------------------------|
| TITLE BNC (F) PRINTED CIRCUIT BOARD RECEPTACLE, STRAIGHT, FEMALE | |
| MATERIAL: SEE NOTE 2.0 | FINISH: SEE NOTE 3.0 |
| FSCM NO. 50896 | DWG NO. OL-0113-02-1 |
| SCALE 4:1 | REV. A |