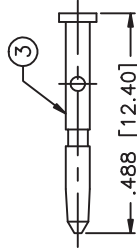
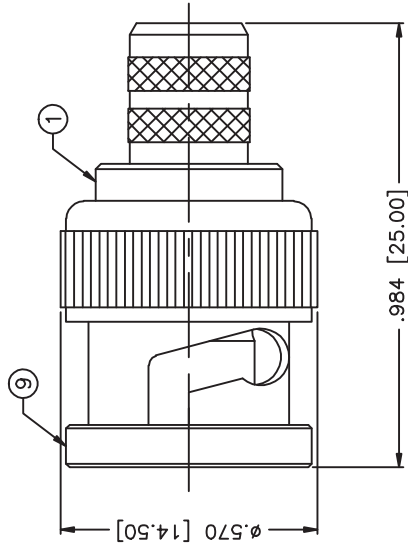
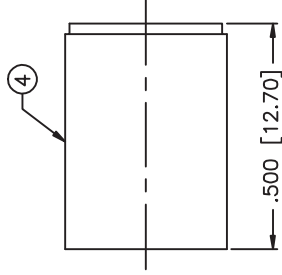


THIS DRAWING CONTAINS INFORMATION PROPRIETARY TO RF INDUSTRIES.
 ANY UNAUTHORIZED USE OF THIS DRAWING IS EXPRESSLY PROHIBITED
 WITHOUT WRITTEN PERMISSION FROM RF INDUSTRIES.
 ANY VIOLATION IS PUNISHABLE UNDER U.S. COPYRIGHT LAWS.

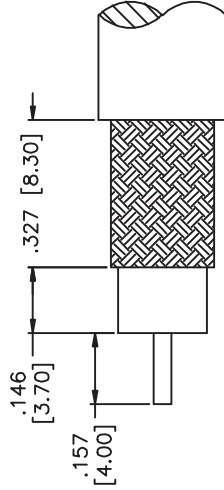
ALL DIMENSIONS ARE REFERENCE ONLY



RECOMMENDED CRIMP DIE: .043



RECOMMENDED CRIMP DIE: .319



RECOMMENDED STRIPPING DIMENSIONS

SPECIFICATIONS:

IMPEDANCE: 75 Ohms
 FREQUENCY RANGE: 0-2 GHz
 VOLTAGE RATING: 500 Vrms
 RG-6/U TYPE; BELDEN 1694A, 9248; CommScope 5715, 5729, 5765

1	BODY	1	BRASS	NICKEL, 100 MICRO	008974
---	------	---	-------	-------------------	--------

2	INSULATOR	1	PTFE	---	
3	PIN	1	BRASS	GOLD, 3 MICRO	
4	FERRULE	1	COPPER	NICKEL, 100 MICRO	
5	RETAINING RING	1	BRASS	NICKEL, 100 MICRO	
6	GASKET	1	RUBBER	---	
7	SPRING	1	SK-5	NICKEL, 200 MICRO	
8	WASHER	1	BRASS	NICKEL, 100 MICRO	
9	SHELL	1	BRASS	NICKEL, 100 MICRO	

DRAWN	C. ZUNIGA	08/11/10
CHECKED		
ORJ DRAWN	C. ZUNIGA	12/12/00
APPROVALS		DATE

#	DESCRIPTION	QTY	MATRL	FINISH
---	-------------	-----	-------	--------

UNLESS OTHERWISE SPECIFIED:

1. REMOVE ALL BURRS
2. BREAK ALL CORNERS & EDGES .005 R. MAX.
3. CHAMFER 1ST & LAST THREADS 45°
4. SURFACE ROUGHNESS 63 FINISH MIL-STD-10
5. DIAMETERS ON COMMON CENTERS TO BE CONCENTRIC WITHIN .002 T.I.R.
6. ALL DIMENSIONS ARE AFTER PLATING.

DIMENSIONS ARE IN INCHES AND [MILLIMETERS]

UNLESS OTHERWISE NOTED TOLERANCES ARE:

DECIMALS	.XXX±.003 [.08]
DIAMETER	.XXX±.001 [.03]
	.XX±.003 [.08]

PART NO. RFB-1707-Q

REV	DESCRIPTION	DWN	DATE	APPROVED
-	ENGINEERING RELEASE	CZS	12/12/00	JDMc
A	UPDATED ELECTRICAL SPECS	CZS	08/11/10	JDMc

RF connectors
 DIVISION OF RF INDUSTRIES, LTD.
 7610 MIRAMAR RD
 SAN DIEGO, CA 92126
 (858) 549-6340
 (858) 549-6345 FAX

BNC PLUG, CRIMP

SIZE	CABLE GROUP	DWG NO.	REV
A	Q	RFB-1707-Q	A
SCALE:	NTS	CAD FILE	OUTLINE
			SHEET 1 OF 1