

- 1.0 PERFORMANCE
- 1.1 FREQUENCY RANGE: DC-4GHz
- 1.2 VSWR < 1.3
- 1.3 VOLTAGE RATING: 500V RMS (sea level)
- 1.4 NOMINAL IMPEDANCE: 50 OHMS
- 1.5 DWV: 1500 V RMS @ 60 Hz (sea level)
- 1.6 TEMPERATURE RANGE: -65°C TO +165°C
- 2.0 MATERIALS
- 2.1 DIELECTRIC: PTFE

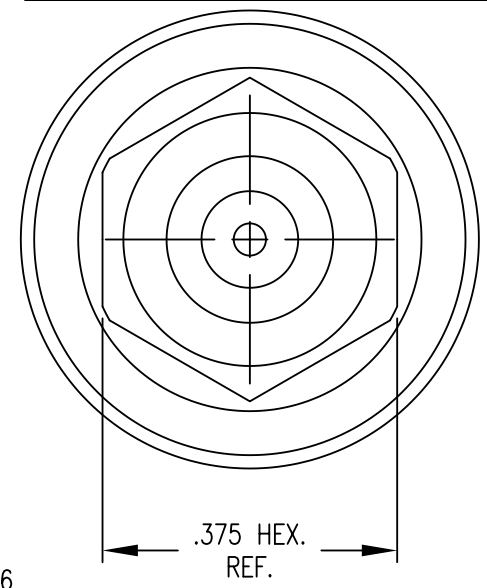
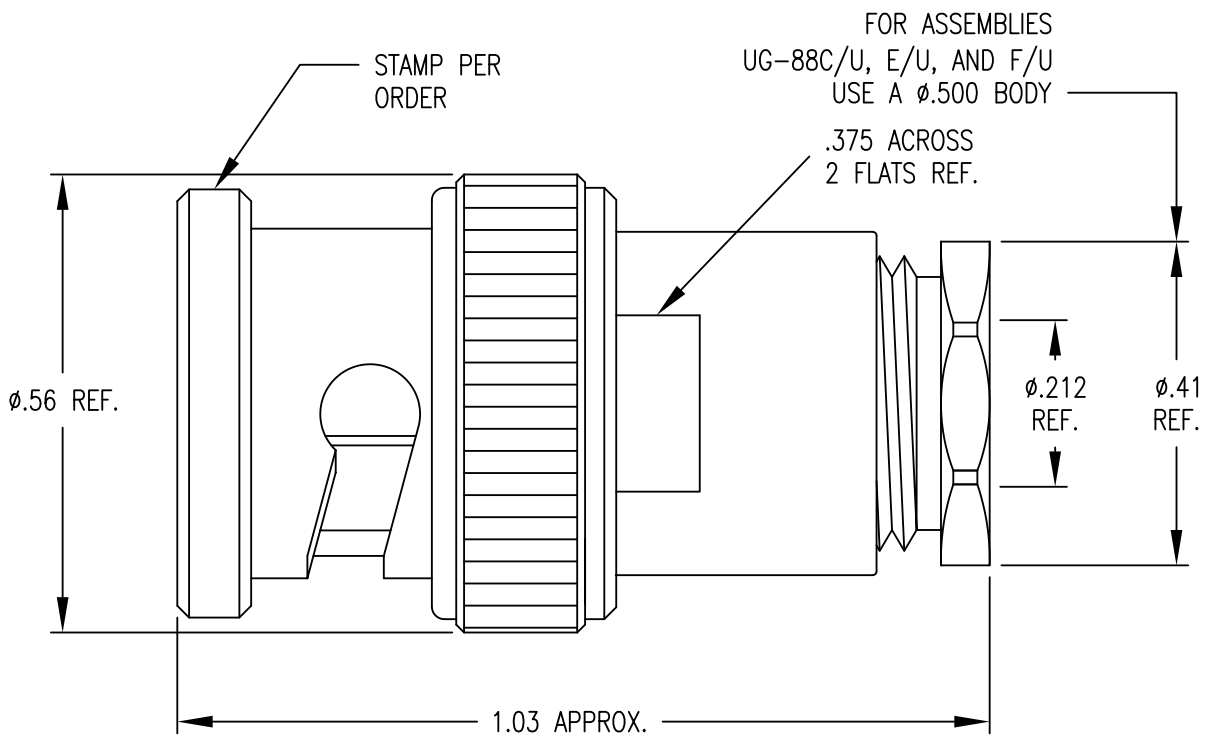
- 2.2 CONTACT: BRASS
- 2.3 GASKETS: Si RUBBER
- 2.4 SPRING WASHERS: BeCu
- 2.5 OTHER METAL PARTS: BRASS
- 3.0 FINISH: SEE TABLE
- 3.1 SPECIAL CUSTOMER REQUEST

FOR UG-88C/U-KS  
 BLACK CHROME BODY NOT ENDORSED  
 SUGGEST USE OF BLACK SILVER

- 4.0 MECHANICAL
- 4.1 INTERFACES MATE WITH MIL-STD-348
- 4.2 ASSEMBLY INSTRUCTIONS: TORQUE 21IN\*LBS
- A-01: UG-88/U
- B-01: UG-88C/U, UG-88E/U
- C: UG-88F/U

DWG NO. OL-88-1 REV. D

PART NUMBER	BODY	CONTACT
UG-88/U	Ni	Ag
UG-88/U NI/GOLD	Ni	Au
UG-88/U SI	Ag	Ag
UG-88C/U	Ni	Ag
UG-88C/U NI/GOLD	Ni	Au
UG-88C/U SI	Ag	Ag
UG-88C/U SI/GOLD	Ag	Au
UG-88E/U	Ni	Ag
UG-88E/U NI/GOLD	Ni	Au
UG-88E/U SI	Ag	Ag
UG-88E/U SI/GOLD	Ag	Au
UG-88F/U	Ni	Ag



RE49F246

Rev.	Revisions	Date	Dwn.	Appd.
D	ADD SPECIAL REQUEST -KS	5-20-11	FSH	FSH
C	ADD VSWR < 1.3	5-14-09	FSH	FSH
B	ADD PLATING TABLE	2/26/07	FSH	FSH
A	ORIGINAL	12/7/01		

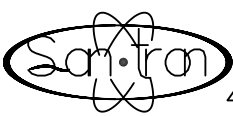
RECOM. STOCK SIZE	FT/M PCS	QTY REQD
-------------------	----------	----------

PROPRIETARY  
 THIS DRAWING CONTAINS CONFIDENTIAL INFORMATION PROPRIETARY TO SAN\*TRON INC. IT MUST NOT BE REPRODUCED OR DISCLOSED TO OTHERS OR USED IN ANY OTHER WAY, IN WHOLE OR PART EXCEPT AS AUTHORIZED IN WRITING BY SAN\*TRON INCORPORATED.

REMOVE ALL BURRS AND SHARP EDGES .005 MAX.  
 UNLESS OTHERWISE STATED ALL DIMENSIONS ARE IN INCHES AND APPLY AFTER PLATING

UNSPECIFIED TOL.  
 DEC. ± .005  
 FRAC. ± 1/64  
 ANG. ± 1/2°

CONCENTRICITY .004 TIR  
 ALL MACHINED SURFACES ✓


**SAN • TRON, INC.**  
 4 NEWBURYPORT TPK, IPSWICH, MA 01938

TITLE TYPE BNC PLUG, STRAIGHT, CLAMP TYPE FOR RG 55, 58/U

MATERIAL: SEE NOTE 2.0 FINISH: SEE NOTE 3.0

FSCM NO. 50896	DWG NO. OL-88-1	REV. D
SCALE 4:1		