

# ENVELOPE / ASSEMBLY DRAWING

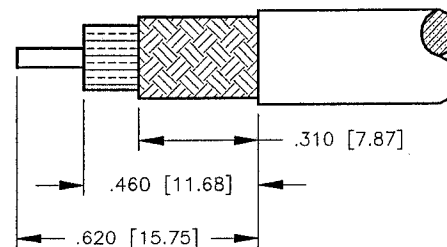
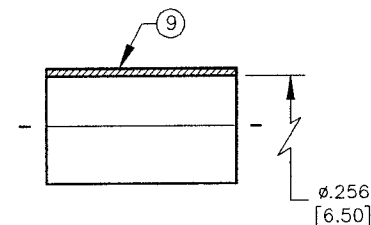
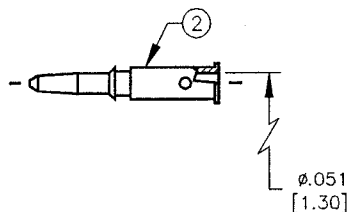
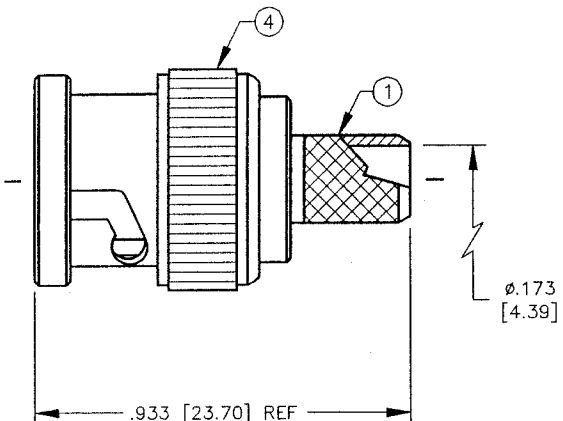
000360

## SPECIFICATION CONTROL DRAWING

THIS DRAWING CONTAINS INFORMATION PROPRIETARY TO RF INDUSTRIES, LTD. ANY UNAUTHORIZED USE OF THIS DRAWING IS EXPRESSLY PROHIBITED. ANY VIOLATION IS PUNISHABLE UNDER U.S. COPYRIGHT LAWS.

REV	DESCRIPTION	DWN	DATE	APPROVED
A	ENGINEERING RELEASE	CZS	5/28/99	R. RICE

ALL DIMENSIONS ARE REFERENCE ONLY



### SPECIFICATIONS:

IMPEDANCE: 50 OHMS  
 WORKING VOLTAGE: 500 VRMS @ SEA LEVEL  
 FREQUENCY RANGE: 0-4 GHz  
 INSERTION LOSS:  $\leq$  -.2 dB @ 3 GHz  
 VSWR MAX: 1.4:1 @ 3 GHz  
 FOR ANTENNA SPECIALIST K214 & PRO-FLEX 800, TIMES AA3096 CABLE  
 INTERFACE PER MIL-STD-348A, SECTION 301.1

SUGGESTED STRIPPING INSTRUCTIONS

SUGGESTED CRIMP DIES: .068 & .255

ITEM	DESCRIPTION	QTY	MATERIAL	FINISH
9	FERRULE	1	BRASS	NICKEL
8	WASHER	1	BRASS	NICKEL
7	SPRING	1	SK-5	NICKEL
6	RETAINING RING	1	BRASS	NICKEL
5	GASKET	1	S.I. RUBBER	RED
4	SHELL	1	BRASS	NICKEL
3	DIELECTRIC	1	DELTRIN	NONE
2	PIN	1	BRASS	GOLD
1	BODY	1	BRASS	NICKEL

DIMENSIONS ARE IN INCHES AND [MILLIMETERS]

UNLESS OTHERWISE NOTED TOLERANCES ARE:  
DECIMALS DIAMETER

DRAWN	C. ZUNIGA	5/28/99
CHECKED	<i>C. Zuniga</i>	6/17/99
OR DRAWN	C. ZUNIGA	5/28/99
APPROVALS	DATE	

**RF connectors**  
DIVISION OF RF INDUSTRIES, LTD.

7610 MIRAMAR RD  
SAN DIEGO, CA 92126  
(619)549-6340  
(619)549-6345 FAX

## RFB-1107-1P

BNC MALE CRIMP

SIZE	CABLE GROUP	DWG NO.	REV
A	P	9177	A
SCALE: 2:1	CAD FILE 13ARC B	SHEET 1 OF 1	