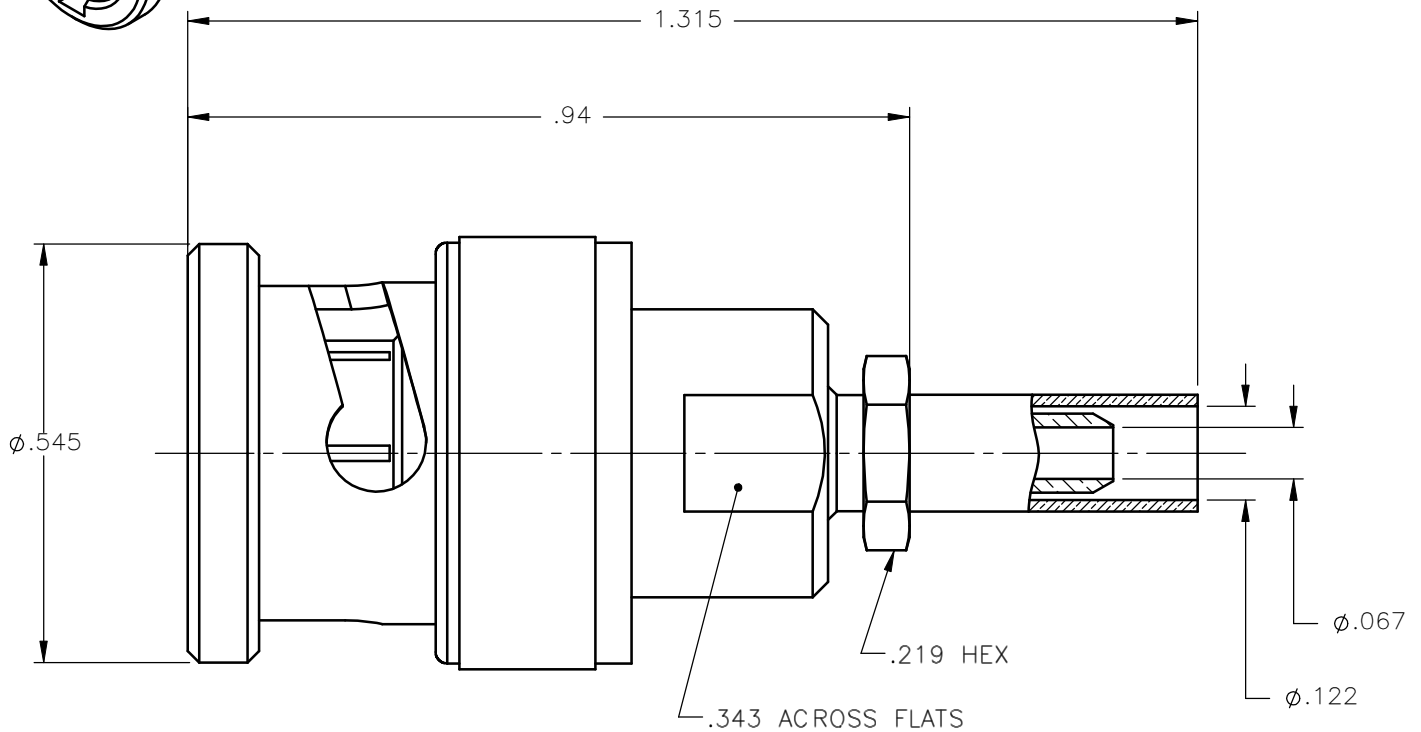
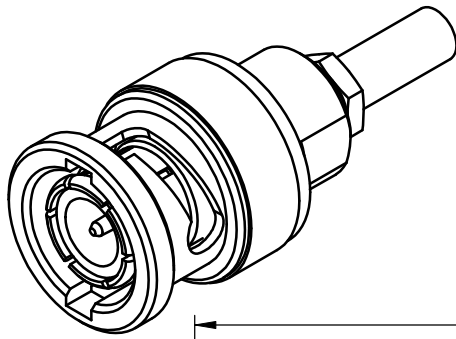


REVISIONS			
REV.	DESCRIPTION	DATE	APPROVED
A	INITIAL RELEASE	01/10/11	M.J.



NOTES:

MATERIALS:

- INSULATORS = VIRGIN WHITE TEFLON PER ASTM D1710, GRADE 1, TYPE I, CLASS "B".
- GASKET = SILICONE RUBBER PER ZZ-R-765, CLASS 2B, GRADE 65-75.
- CRIMP SLEEVE = SEAMLESS LOWLEAD BRASS TUBE, ALLOY 330, SOFT ANNEAL TEMPER, .025/.060 GRAIN SIZE OR SEAMLESS COPPER TUBE PER ASTM B75, TYPE C12000, TEMPER: LIGHT ANNEAL O50 EXCEPT YIELD STRENGTH.
- SPRING WASHERS = BERYLLIUM COPPER PER ASTM B196, ALLOY C17300, TEMPER TD04.
- ALL OTHER METAL PARTS = BRASS PER ASTM B16, ALLOY C36000, TEMPER H02.

FINISHES:

- CONTACT = GOLD PLATE PER MIL-G-45204, TYPE II, CLASS 1, GRADE C, OVER .00010 TO .00020 STRESS FREE SULFAMATE NICKEL PER QQ-N-290.
- ALL OTHER METAL PARTS = GOLD PLATE PER MIL-G-45204, TYPE II, CLASS 0, GRADE C, OVER .00010 TO .00020 COPPER STRIKE PER MIL-C-14550.

UNLESS OTHERWISE SPECIFIED DIMENSIONS ARE IN INCHES TOLERANCES ON		DWN: M.J.	DATE: 01/10/11		Property of Radiall This document cannot be reproduced or communicated to a third party without prior written permission of RADIALL.		
DECIMAL	ANGLE	CHKD: A.D.M.	DATE: 01/10/11		BNC STRAIGHT PLUG CRIMP TYPE FOR RG-316 & SIMILAR CABLES		
		APVD: J.M.	DATE: 01/10/11	SIZE: A			
REFERENCE:		MATERIALS & FINISHES:		SCALE: 4:1		THIRD ANGLE PROJECTION	
ORIGINATED: M.J. DATE: 01/10/11		SEE NOTES				SHEET 1 OF 1	

6500-1071-003