

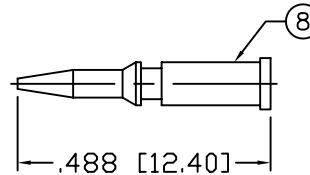
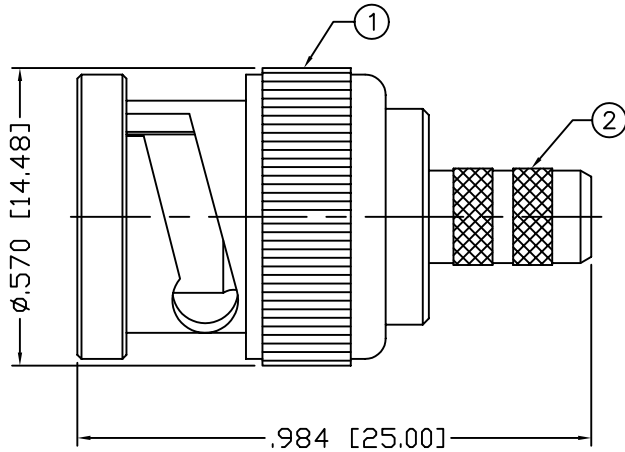
THIS DRAWING CONTAINS INFORMATION PROPRIETARY TO RF INDUSTRIES,  
 ANY UNAUTHORIZED USE OF THIS DRAWING IS EXPRESSLY PROHIBITED  
 WITHOUT WRITTEN PERMISSION FROM RF INDUSTRIES.  
 ANY VIOLATION IS PUNISHABLE UNDER U.S. COPYRIGHT LAWS.

ALL DIMENSIONS ARE REFERENCE ONLY

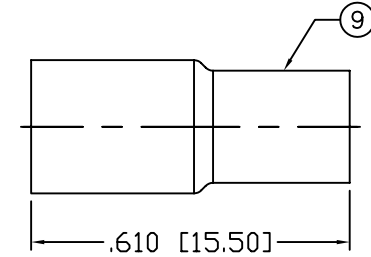
PART NO.

**RFB-1107-7**

| REV | DESCRIPTION         | DWN | DATE    | APPROVED |
|-----|---------------------|-----|---------|----------|
| -   | ENGINEERING RELEASE | CZS | 5/20/99 | JDMc     |
| A   | CHANGE FERRULE STUD | CZS | 4/13/05 | JDMc     |
|     |                     |     |         |          |



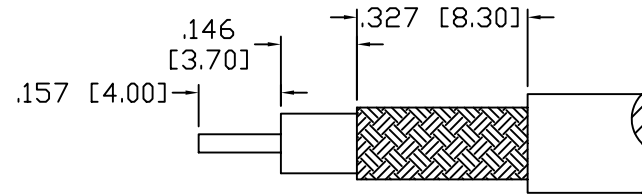
RECOMMENDED CRIMP DIE: .068"



RECOMMENDED CRIMP DIE: .213"

SPECIFICATIONS:

IMPEDANCE: 50 Ohms  
 FREQUENCY RANGE: 0-4 GHz  
 VSWR: 1.3 Max.  
 WORKING VOLTAGE: 500 V rms @ sea level  
 TEMPERATURE RANGE: -65°C TO 85°C  
 INSULATION RESISTANCE: 5k M Ohms min.  
 FOR MOTOROLA WHITE TEFLON, BELDEN 82907, 88240 & 89907,  
 RG-122/U & TIMES MSI-15 CABLE



RECOMMENDED STRIPPING DIMENSIONSS

|    |                |     |          |                           |           |          |
|----|----------------|-----|----------|---------------------------|-----------|----------|
| 1  | SHELL          | 1   | BRASS    | NICKEL, 100μ <sup>2</sup> | 008974    |          |
| 2  | BODY           | 1   | BRASS    | NICKEL, 100μ <sup>2</sup> |           |          |
| 3  | INSULATOR      | 1   | PTFE     | ----                      |           |          |
| 4  | GASKET         | 1   | RUBBER   | ----                      |           |          |
| 5  | RETAINING RING | 1   | BRASS    | NICKEL, 100μ <sup>2</sup> |           |          |
| 6  | SPRING         | 1   | SK5      | NICKEL, 100μ <sup>2</sup> |           |          |
| 7  | WASHER         | 1   | BRASS    | NICKEL, 100μ <sup>2</sup> |           |          |
| 8  | PIN            | 1   | BRASS    | GOLD, 3μ <sup>2</sup>     |           |          |
| 9  | FERRULE        | 1   | COPPER   | NICKEL, 100μ <sup>2</sup> |           |          |
| 10 |                |     |          |                           | DRAWN     |          |
| 11 |                |     |          |                           | C. ZUNIGA | 4/13/05  |
| 12 |                |     |          |                           | CHECKED   |          |
| 13 |                |     |          |                           | ORJ DRAWN |          |
| 14 |                |     |          |                           | C. ZUNIGA | 02/06/06 |
| #  | DESCRIPTION    | QTY | MATERIAL | FINISH                    | APPROVALS | DATE     |

UNLESS OTHERWISE SPECIFIED:  
  
 DIMENSIONS ARE IN INCHES AND [MILLIMETERS]  
 UNLESS OTHERWISE NOTED TOLERANCES ARE:  
 DECIMALS      DIAMETER

**RF connectors**  
 DIVISION OF RF INDUSTRIES, LTD.

7610 MIRAMAR RD  
 SAN DIEGO, CA 92126  
 (858) 549-6340  
 (858) 549-6345 FAX

**BNC PLUG, CRIMP**

|            |                  |                       |              |
|------------|------------------|-----------------------|--------------|
| SIZE<br>A  | CABLE GROUP<br>M | DWG NO.<br>RFB-1107-7 | REV<br>A     |
| SCALE: NTS |                  | CAD FILE OUTLINE      | SHEET 1 OF 1 |