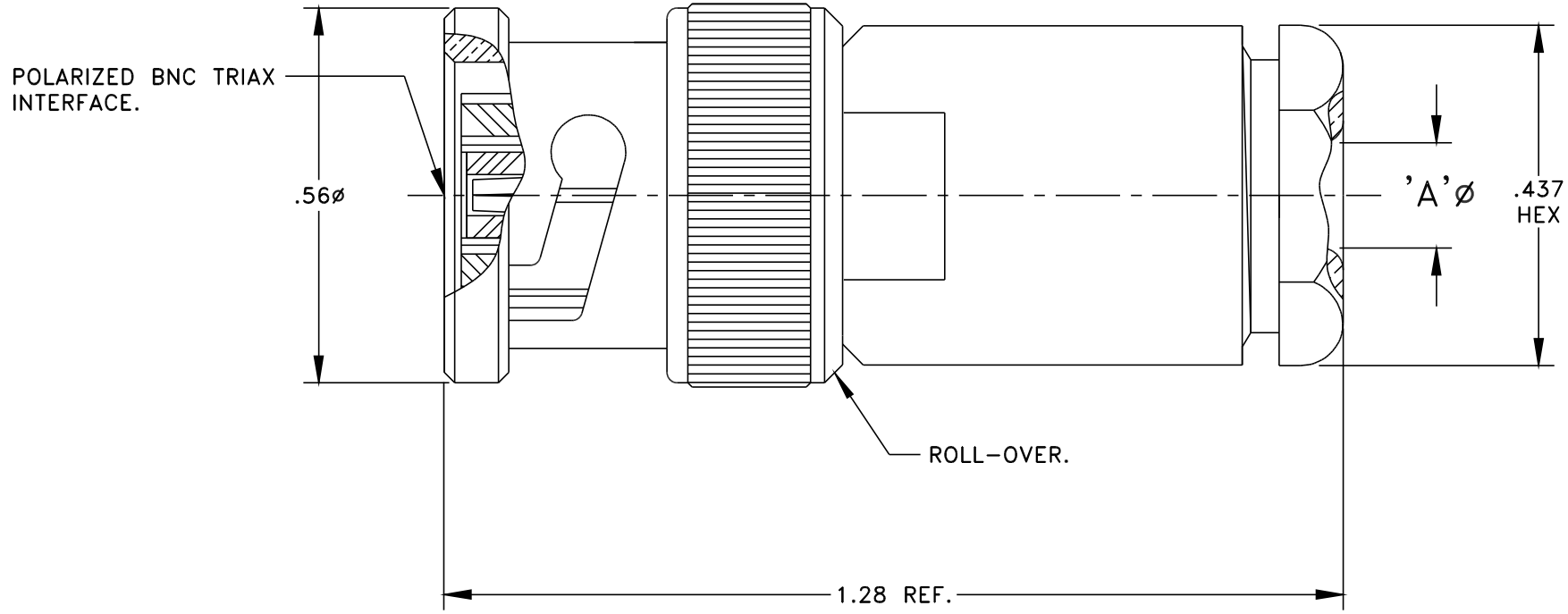


THIS DOCUMENT CONTAINS PROPRIETARY INFORMATION
& MAY NOT BE REPRODUCED OR DISCLOSED TO OTHERS
WITHOUT WRITTEN CONSENT FROM CONNECTRONICS, INC.



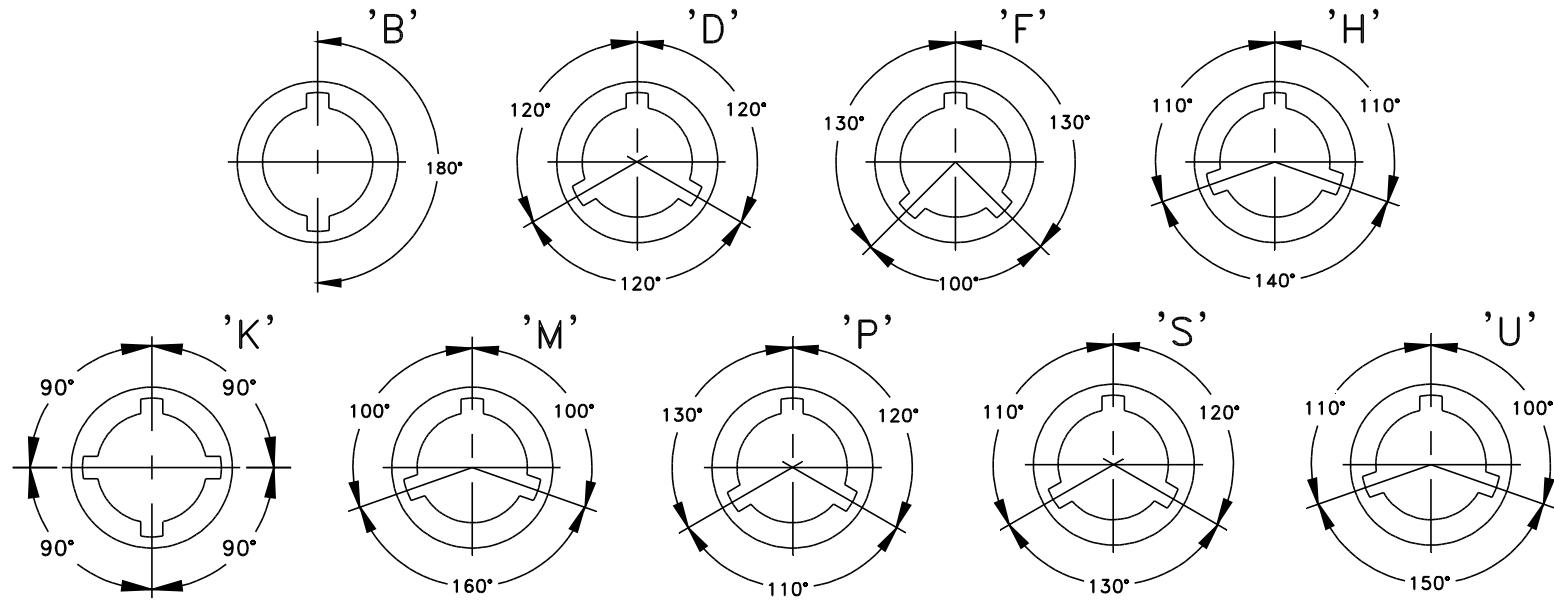
REVISIONS

OUTLINE DRAWING

		FSCM 43608
		TOLERANCES <small>UNLESS OTHERWISE SPECIFIED</small>
DWG BY: RLC	DATE: 8/30/07	2 PL DEC ±.020
APVD BY:	SCALE: _____	3 PL DEC ±.005
MATERIAL: _____		ANG. DIM ±1/2°
FINISH: _____		
DESCRIPTION: BNC TRIAX CABLE PLUG, CLAMP, FOR COAXIAL CABLE, POLARIZED		DRAWING NO. 50-215 SHT 1 OF 2

DASH #	BODY FINISH	CONTACT FINISH	POLARITY	GASKET MAT'L	'A'	CABLE:
-1	NICKEL	GOLD	B	SILICONE	.120	RG174, 179, 187, 188, 316

POLARITY CHART



THIS DOCUMENT CONTAINS PROPRIETARY INFORMATION & MAY NOT BE REPRODUCED OR DISCLOSED TO OTHERS WITHOUT WRITTEN CONSENT FROM CONNECTRONICS, INC.

CONNECTRONICS, INC.
EDINBURGH, INDIANA

FSCM 43608

TOLERANCES
UNLESS OTHERWISE SPECIFIED

DWG BY: RLC DATE: 10/3/06

APVD BY: SCALE: _____

MATERIAL: _____

FINISH: _____

DESCRIPTION: BNC TRIAX
CABLE PLUG, CLAMP,
FOR COAXIAL CABLE, POLARIZED

2 PL DEC ± .020

3 PL DEC ± .005

ANG. DIM ± 1/2°

DRAWING NO.
50-215
SHT 2 OF 2

REVISIONS