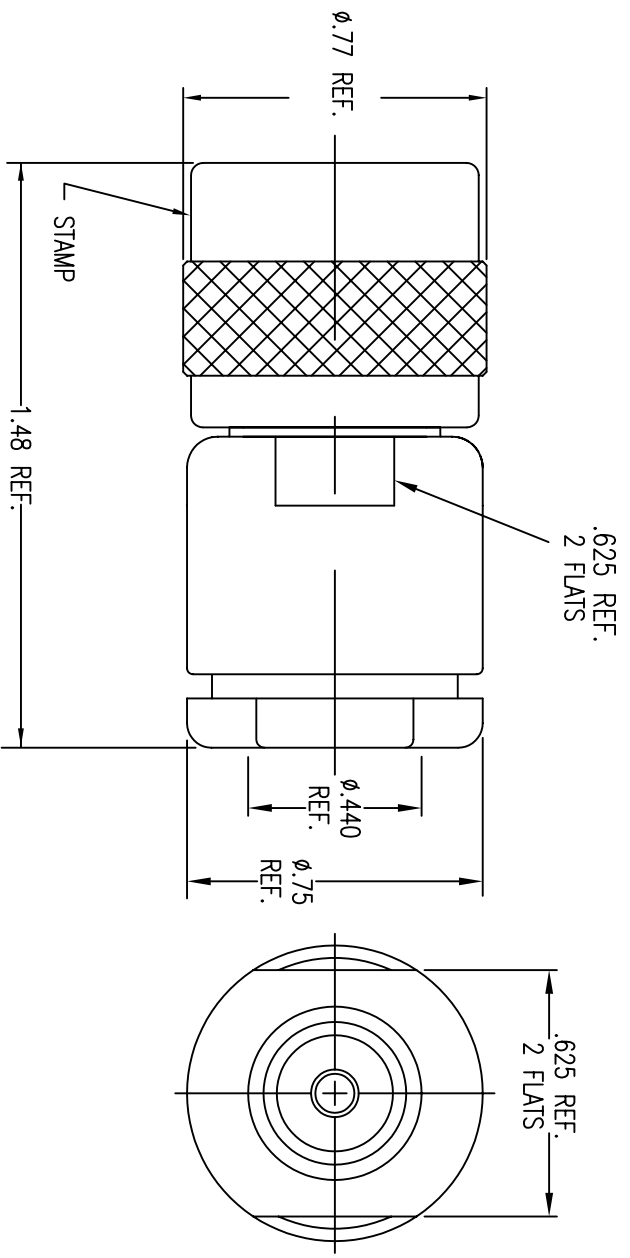


- 1.0 PERFORMANCE
- 1.1 FREQUENCY RANGE: DC-11GHz
- 1.2 VOLTAGE RATING: 1000V RMS (sea level)
- 1.3 NOMINAL IMPEDANCE: 50 OHMS
- 1.4 DWV: 3000 V RMS @ 60 Hz (sea level)
- 1.5 TEMPERATURE RANGE: -65° C TO +165 °C
- 2.0 MATERIALS
- 2.1 DIELECTRICS: TEFLON, ASTM-D-1710
- 2.2 CONTACTS: BRASS ASTM-B-16
- 2.3 OUTER CONTACT: PHOSPHOR BRONZE, ASTM-B-139, ALLOY B2
- 2.4 SPRING WASHERS: BERYLLIUM COPPER, ASTM-B-194
- 2.5 OTHER METAL PARTS: BRASS, ASTM-B-16
- 2.6 GASKETS: SILICONE RUBBER, ZZ-R-765, CLASS II, GR. 50
- 3.0 FINISHES:
- 3.1 CENTER CONTACT: SILVER PLATED
- 3.2 ALL OTHER METAL PARTS: NICKEL PLATED
- 4.0 MECHANICAL
- 4.1 INTERFACE IN ACCORDANCE WITH MIL-STD-348



THIS DRAWING CONTAINS CONFIDENTIAL INFORMATION PROPRIETARY TO SAN-TRON INC. IT MUST NOT BE REPRODUCED OR DISCLOSED TO OTHERS OR USED IN ANY OTHER WAY IN WHOLE OR PART EXCEPT AS AUTHORIZED IN WRITING BY SAN-TRON INCORPORATED.

UNLESS OTHERWISE SPECIFIED:
 ALL DIMENSIONS ARE IN INCHES.
 ALL DIMENSIONS ARE AFTER PLATING.
 ALL MACHINED SURFACES $\sqrt{63}$ /MAX.
 .XXX = ± 0.05 .XX = ± 0.01 FRACTIONAL = $\pm 1/64$
 .002 MAX. TIR ANG. $\pm 1/2^\circ$

Rev.	Revisions	Disp.	Date	Dwn.	Appd.
A	ORIGINAL	NEW	02/04/03		

RECOM.	STOCK SIZE	FT/M PCS	REMOVE ALL BURRS AND SHARP EDGES .005 MAX.	INTERPRET PER ANSI Y14.5M-1982	THIRD ANGLE PROJECTION	DWN	LAP	CHKD	FSH	ANG. \pm	APP. PPR
						02/04/03	02/04/03	02/05/03	02/05/03	1/2	02/05/03

SAN-TRON, INC.
 4 NEWBURYPORT TRK. IPSWICH MA USA 01938
 TEL: 978-356-1585 FAX: 978-356-1573
 WWW.SANTRON.COM E.MAIL: SANTRON@SANTRON.COM

San-Tron

TITLE: **C PLUG, CLAMP TYPE FOR CABLE GROUP 4, 4A**

MATERIAL: SEE NOTE 2.0 FINISH: SEE NOTE 3.0

CAGE CODE: 50896 DWG NO. 01-573B-1

SCALE: 2 : 1 REV. A