

RED INDICATES ORIGINAL

DATA CONTAINED IN THIS DRAWING IS THE PROPERTY OF TROMPETER ELECTRONICS, INC. IT IS TO BE USED FOR THE MANUFACTURE OF THIS PRODUCT ONLY. IT IS NOT TO BE REPRODUCED OR TRANSMITTED IN ANY FORM OR BY ANY MEANS, ELECTRONIC OR MECHANICAL, INCLUDING PHOTOCOPYING, RECORDING, OR BY ANY INFORMATION STORAGE AND RETRIEVAL SYSTEM, WITHOUT EXPRESS WRITTEN PERMISSION.		REV E6	DESCRIPTION	DATE
P	11465 FOR CHANGES SEE ECO	DMN	APPROVED	SH.1
		DKC	11/19/94	

REV	BY	DATE	DESCRIPTION
3-0056			

DASH NO	CABLES ACCOMMODATED	A DIM	B DIM	C HEX	O FLATS DIA	E DIA MAX	F DIA MAX	CABLE ENTRY DIA	ASSEMBLY PER
-7	TRC-50-2	1.314	.086	.438	.500	.563	.274		TAI-189
-8	TRC-75-2	1.648	.130	.625	.688	.750	.345		TAI-103
-9	TRC-78-2	1.314	.086	.438	.500	.563	.285		TAI-102
-10	RG-22						.455		TAI-103
-11	754E AT & T						.347		TAI-128
-12	16 REW AT & T	1.648	.130	.625	.688	.750	.775		TAI-129
-13	VJ-AL GENERAL						.485		TAI-129
-14	TRC-50 TIMES						.362		TAI-189
-15	8232 BELDEN						.352		TAI-102
-16	8283 BELDEN						.480		TAI-189
-17	202-3934 MICRODOT						.191		TAI-102
-18	250-3934 MICRODOT						.191		TAI-102
-19	8530AS117 RAYCHEM						.200		TAI-189
-20	T-43M GENERAL						.285		TAI-102
-21	702BAS118 RAYCHEM						.181		TAI-189
-22	1191PS 0819EN WDSN						.145		TAI-102
-23	202-3927 MICRODOT						.191		TAI-102
-24	202-3942 MICRODOT						.191		TAI-102
-25	TRC-78-1/78C-124-TA	1.314	.086	.438	.500	.563			TAI-102
-26	761A AT & T						.235		TAI-103
-27	8441 BELDEN						.191		TAI-103
-28	TRC-50-1						.217		TAI-189
-29	TRC-75-1						.300		TAI-189
-30	21-204 ESSEX						.200		TAI-102
-31	4463 CONSOL TOWER						.183		TAI-103
-32	250-4044/250-4045						.475		TAI-103
-33	232-3630 MICRODOT						.154		TAI-102
-34	427500-221E2114						.132		TAI-103
-35	1100-66F STAMPAGE						.323		TAI-103
-36	8900 BELDEN	1.648	.130	.625	.688	.750	.775		TAI-102
-37	M17/178-00002	1.314	.086	.438	.500	.563			TAI-189
-38	TRAC-78-1F2	1.648	.130	.625	.688	.750	.775		TAI-102
-39	69207 BELDEN						.250		TAI-102
-40	89272 BELDEN						.191		TAI-189
-41	6C8756C1 GRUHAM						.168		TAI-102
-42	6C8756B1 GRUHAM						.168		TAI-102
-43	6C8757R2AH GRUHAM	1.314	.086	.438	.500	.563			TAI-189
-44	6C8757L1 GRUHAM						.217		TAI-189
-45	M17/177 THERMATICS						.183		TAI-102
-46	380-10045 BOEING						.475		TAI-102
-47	7528AS314 RAYCHEM						.480		TAI-102

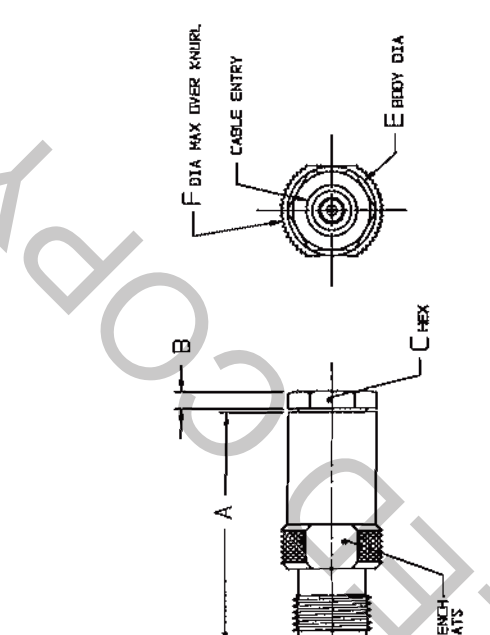


FIG 1
- 9 SHOWN

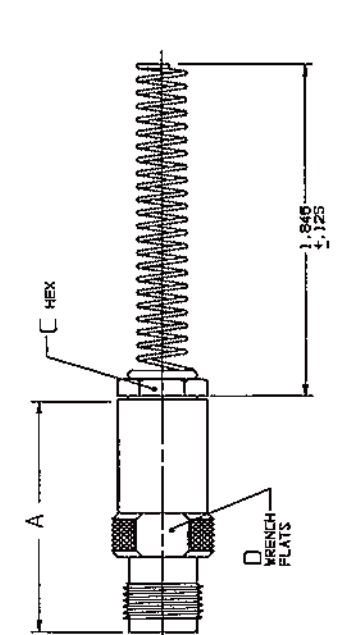


FIG 2
- 9 SHOWN

INCH	MM
.005	0.13
.006	0.14
.125	3.18
.150	3.30
.132	3.35
.145	3.68
.164	4.17
.183	4.65
.191	4.85
.198	5.03
.200	5.08
.217	5.51
.235	5.97
.250	6.35
.274	6.98
.285	7.24
.300	7.62
.323	8.20
.345	8.78
.347	8.81
.352	8.94
.352	8.94
.352	8.94
.438	11.13
.455	11.58
.475	12.07
.480	12.32
.500	12.70
.593	15.06
.625	15.88
.688	17.48
.750	19.05
.775	19.68
1.314	33.38
1.648	41.88
1.948	49.88

MILITARY PART NO	MILITARY CABLE (PIN)	TROMPETER PART NO (SEE ONLY)
M49142-11-0001	M17134-00001	CJ370-7
M49142-11-0002	M17134-00002	CJ370-7
M49142-11-0006	M17178-00002	CJ370-47
M49142-11-0009	M17177-00001	CJ370-80

WHEN CONNECTOR IS SUPPLIED TO MILITARY PART NO. (SEE TABLE 2):

- a) ALL PARTS NORMALLY PLATED TFS-1A OR TFS-1U (NICKEL) ARE TO BE PLATED TFS-1H (SILVER)
- b) MARK PART WITH MILITARY PIN (SEE TABLE) AND *14948*
- c) QUALITY CONFORMANCE INSPECTION SHALL BE PER MIL-C-49142 SECTION 4.5

IF BEND RELIEF SPRING SEEO (FIG 2) ADD SUFFIX "BR" TO MODEL NO (NOT AVAILABLE WITH CABLE GROUPS -8, -10, -11, -12, -13, -14, -48 & -54)

- 3. CONCENTRIC TWIMAX/TRIAX TRT CABLE RECEPTACLE
- 2. FINISH: TFS-1A (NICKEL)
- 1. ALL DIM ARE IN INCHES

QTY	DESCRIPTION	PART NUMBER	ITEM
1	TROMPETER AT CONNECTIVITY ACCESS	CJ370-CJ370BR	
1	MATERIAL	CODE 1081	REV
1	14948	14948	3-0056
1	DATE 4-24-91	SCALE 2:1	SHEET 1 OF 2

EXAMPLE OF COMPLETE MODEL NO. C.370 - 7 DASH NO.

6. NEXT ASSY