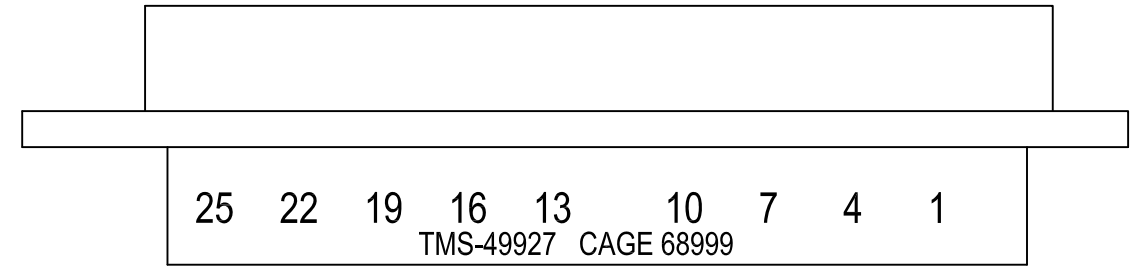
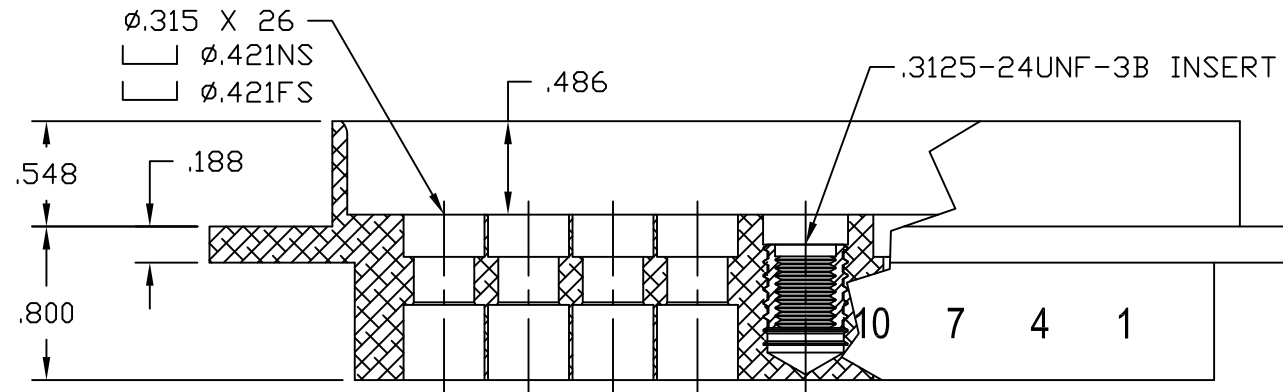
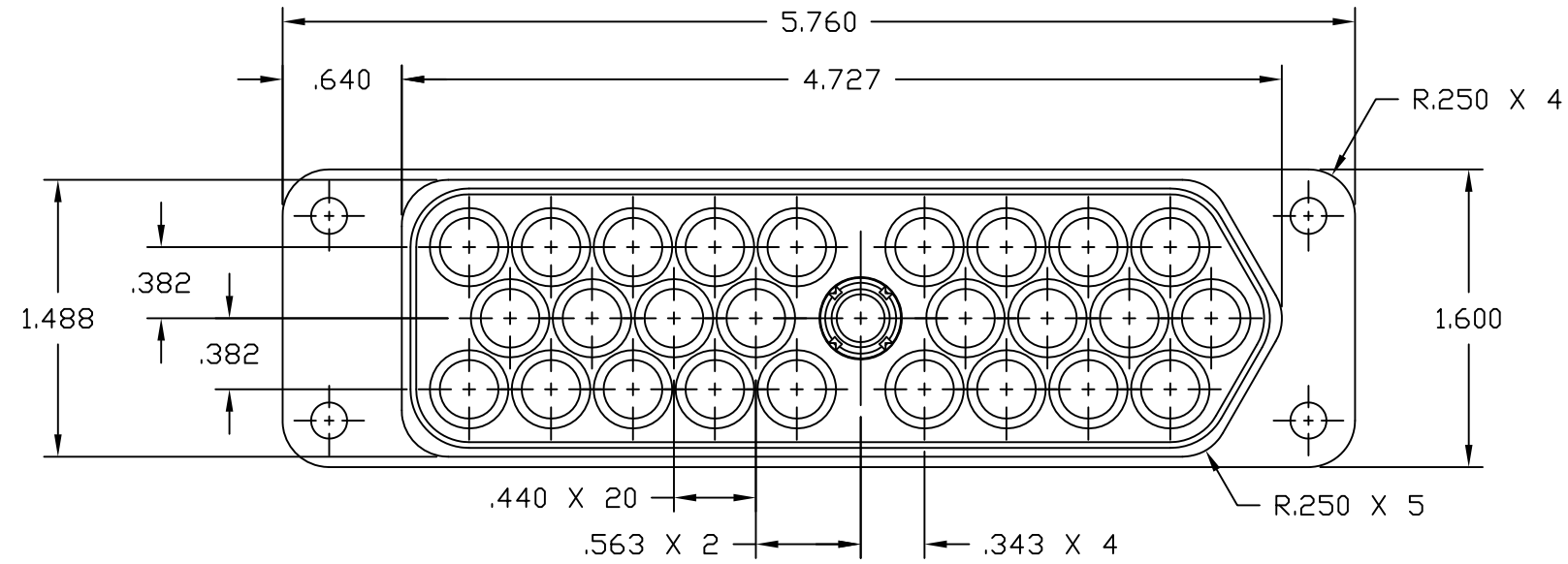
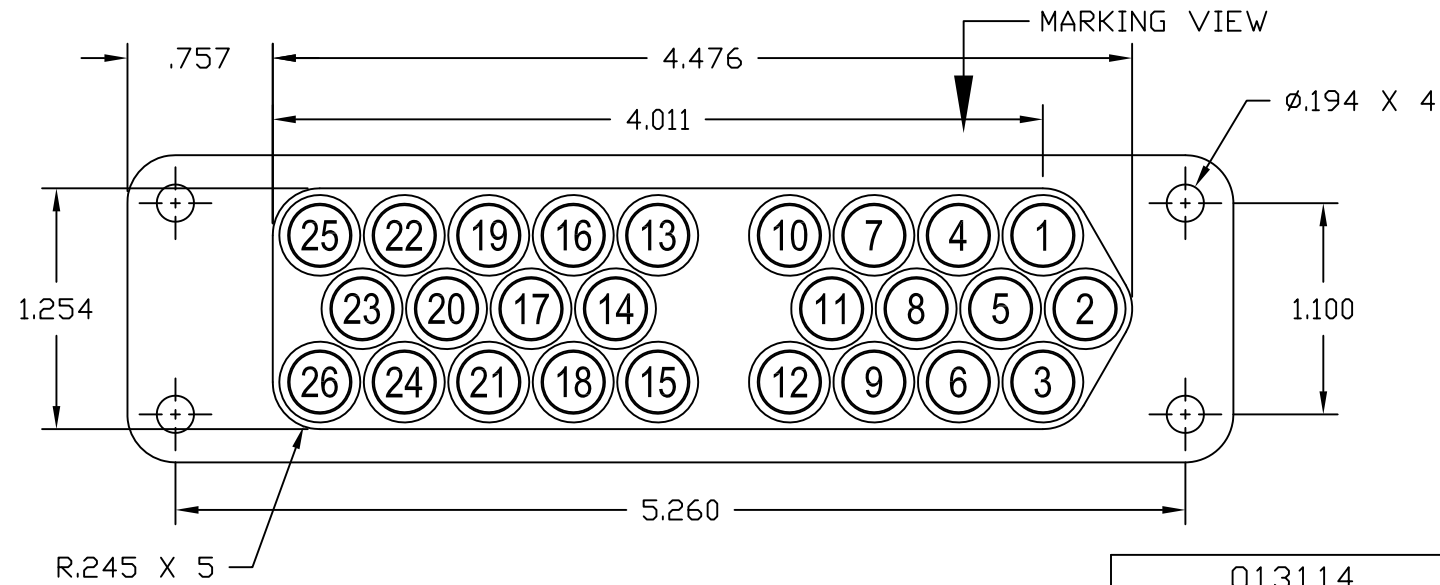


SD49927

SYM	REVISION DESCRIPTION	DFTM	DATE	APPD	DATE
A	RELEASED FOR PRODUCTION	D. J. H.	1/14/16	J. D. B.	1/21/16
B	CHANGED PER CDC #47144	D. J. H.	7/11/17	J. D. B.	7/11/17
C	CHANGED PER CDC #48704	D. A. R.	3/27/18	D. J. H.	3/27/18



MARKING VIEW



013114
W.D. NUMBER

NOTICE OF PROPRIETARY RIGHTS
THIS DOCUMENT CONTAINS CONFIDENTIAL TECHNICAL DATA, INCLUDING TRADE SECRETS, PROPRIETARY TO TIMES MICROWAVE SYSTEMS. DISCLOSURE OF THIS DATA IS EXPRESSLY CONDITIONED UPON YOUR ASSENT THAT ITS USE IS LIMITED TO USE WITHIN YOUR COMPANY ONLY. ANY OTHER USE IS STRICTLY PROHIBITED WITHOUT THE PRIOR WRITTEN CONSENT OF TIMES MICROWAVE SYSTEMS.

TIMES MICROWAVE SYSTEMS

TITLE:
RECEPTACLE, RECTANGULAR
FOR 26 TMS M8 SOCKET
CONTACTS (.440" SPACING)

DRAFTSMAN	Dan Hong	1/14/16
CHECKER	John D. Bloomfield	1/21/16
APPROVED	John D. Bloomfield	1/21/16

UNLESS OTHERWISE SPECIFIED
ALL DIMENSIONS ARE IN INCHES
MACHINED SURFACES FINISH N/A RMS MAX.
REMOVE ALL BURRS .005 MAX. BREAK
MACHINE CORNERS .005 MAX. FILLET R.
TOLERANCES ON DECIMALS
.XX ± .03 .XXX ± .005
ANGLES ± 1° FRACTIONS ± 1/32

DWG. SIZE	B	DRWG. NO.	SD49927	REV.	C
-----------	----------	-----------	---------	------	---

DO NOT SCALE DRAWING

CODE IDENT.	68999	SCALE:	NONE	SHEET:	1 of 1
-------------	-------	--------	------	--------	--------

MATERIAL:
ALUMINUM ALLOY, 6061-T6511
PER QQ-A-200/8 OR QQ-A-225/8

FINISH:
NICKEL PLATE PER TMFS-N01.