

DATE REWSD: 12/2/90

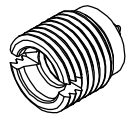
PROTO NUMBER	"A" INTERFACE
B003-L33-01	FULL DETENT
B003-L35-01	SMOOTH BORE

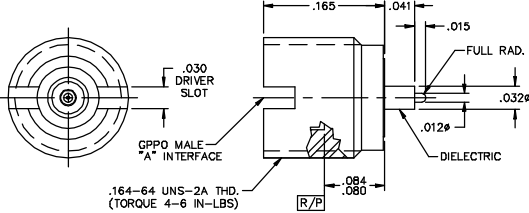
MATERIAL AND FINISH

SHROUD AND BUSHING: CRES 303; PASSIVATED

CENTER CONTACT: BeCu; GOLD PLATE 50-100 ? INCHES
OVER NICKEL PLATE 50 ? INCHES MIN.

DIELECTRIC: VIRGIN PTFE (TEFLON)

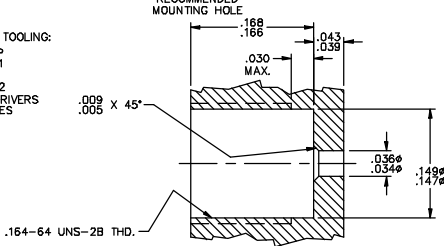




RECOMMENDED TOOLING:

- STARTING TAP
B099-A99-01
- BOTTOM TAP
B099-A99-02
- THREAD-IN DRIVERS
B097-A SERIES

RECOMMENDED MOUNTING HOLE



GPPO MALE THREAD-IN STRAIGHT TERMINAL (TAB DETENT)	IDENT CODE: B2316	GILBERT ENGINEERING
	REVISION: A	

SOURCE FILE: SK-1805	DWG. NO.: OL-B003-L3X-01	ASSY. PROC.: -
----------------------	--------------------------	----------------