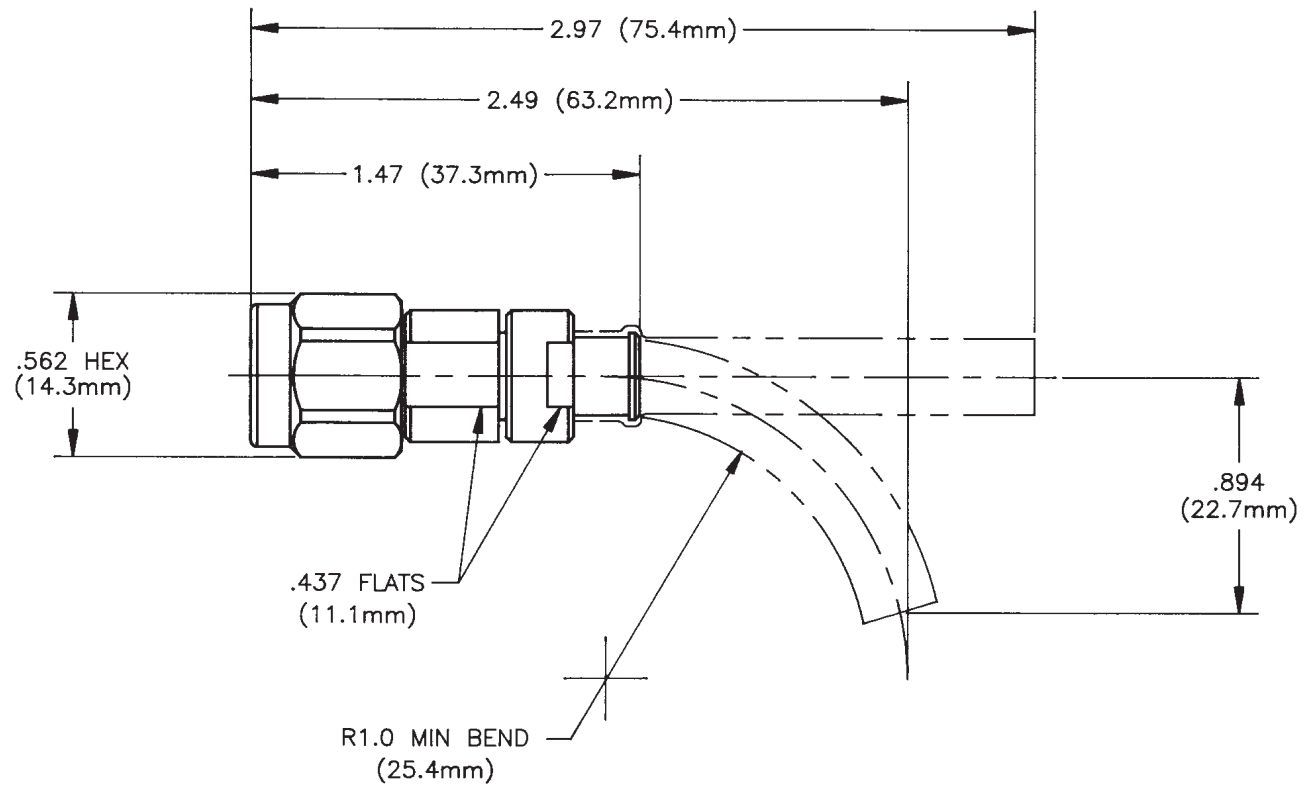



REVISIONS			
REV	DESCRIPTION	DATE	APPROVED
-	INITIAL RELEASE.	96/01/18	R. JOHNSON
A	REV PER ECO 3823.	94/07/15	L. PULOTU



NOTES: UNLESS OTHERWISE SPECIFIED.
 1. REF: ETNC-C-P-STR-HP190-PF-SC-18-XXXXXX.

NEXT ASSY	USED ON
APPLICATION	

ITEM NO.	QTY REQD	FSCM NO.	PART OR IDENTIFYING NO.	NOMENCLATURE OR DESCRIPTION	MATERIAL SPECIFICATION	TYPE
PARTS LIST						
UNLESS OTHERWISE SPECIFIED DIMENSIONS ARE IN INCHES TOLERANCES ARE: FRACTIONS .XX ± .01 DECIMALS .XXX ± .005 ANGLES ± 2°			CONTRACT NO.		 5550 E. McDOWELL RD. MESA, ARIZONA 85215 (602) 985-9000	
MATERIAL SEE PARTS LIST			SIGNATURES			
FINISH			DATE		ETNC STR PLUG TO HP190 SIZE FSCM NO. DWG NO. REV B 60637 20505-111 A SCALE 2/1 SEM 02-09 (9/89) SHEET 1 OF 2	
DO NOT SCALE DRAWING			DRAWN BY M. BONE 95/07/13			
			CHECKED BY B. NOTHUM 96/01/16			
			APPROVED BY S. HARDIN 96/01/16			
			APPROVED BY D. CWIKLA 96/01/16			