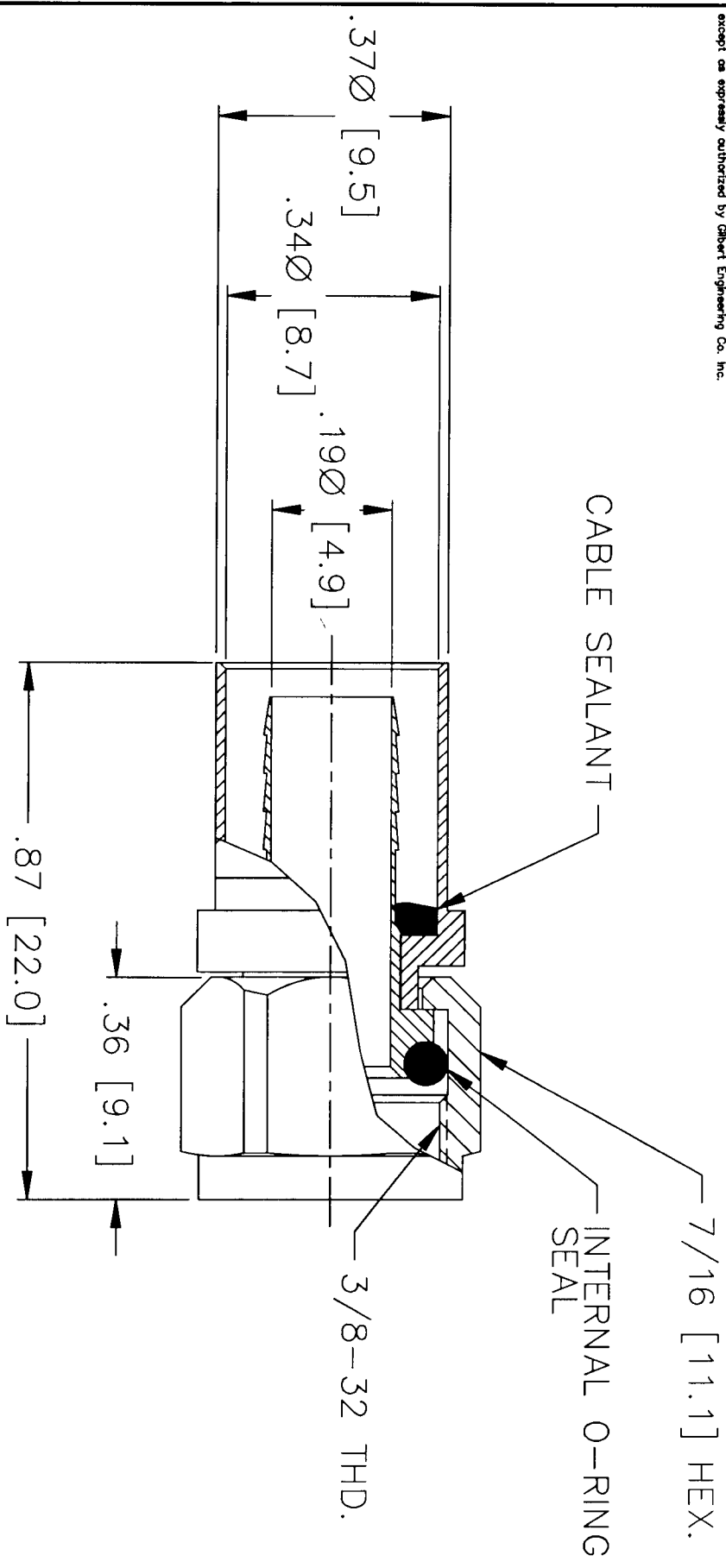


This drawing and any data contained therein is the property of Gilbert Engineering Co., Inc. and constitutes and contains proprietary and confidential information. Neither receipt nor possession of this drawing confers or transfers any right to duplicate, use, or disclose any information contained herein except as expressly authorized by Gilbert Engineering Co., Inc.



MATERIAL AND FINISH

BODY: BRASS, BRIGHT ACID TIN
 NUT RETAINER: ANNEALED BRASS, BRIGHT ACID TIN
 NUT: BRASS, BRIGHT ACID TIN
 O-RING: ETHYLENE PROPYLENE
 CABLE SEALANT: SILICONE GEL

GILBERT ENGINEERING Co., INC.

BY		DATE		TITLE	
DRAWN	HCP	1-95		STANDARD DRAWING FOR	
CHECKED				GFW-6-AHS-342-SN	
ALL DIMENSIONS ARE IN INCHES AND [MILLIMETERS].					
DO NOT SCALE		SHT. 1 OF 1		SS DWG. REV.	DWG. NO. A
				SS-8001-11	