

FCPC-Z/M-A101_100-P

Description

FC connector, SM, wide key, UPC, metal

Features

- Threaded nut connector
- One-piece design for easy and quick termination
- Very short rigid length
- High mechanical and thermal resistance according to Telcordia GR-326-CORE



Technical Data

General Data

Characteristics	Values
Specified acc. to	IEC 61754-13, TIA 604-4-A
Connector family	FCPC
Connector type	SM
Polishing	UPC
Weight in kg	0.0048
Material	Metal
Color of housing	Metal

Mechanical Data

Characteristics	Values
Operating temperature min. (°C)	-40
Operating temperature max. (°C)	85
Min. mating cycles	1000
Tensile load (N)	100

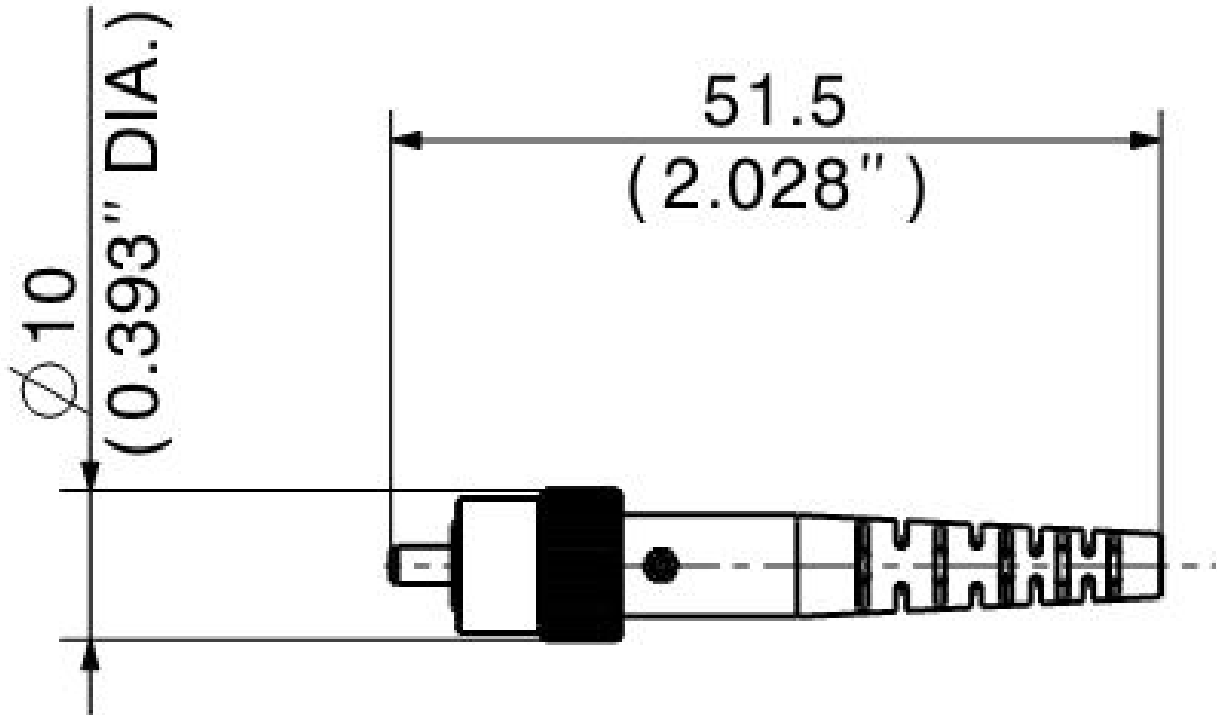
Optical Data

Characteristics	UPC
IL 97% (dB)	0.25
IL typ. (dB)	0.12
RL (dB)	>50

Environment Data

Characteristics	Values
Free of halogen	Yes
RoHS compliant	Yes
REACH compliant	Yes
UV resistant	Yes
Flammability rating	UL 94 V-0

Technical drawing



Ordering information

Description	Item number
FCPC-Z/M-A101_100-P	84003845