

CATALOG NUMBER

R015-B11-01

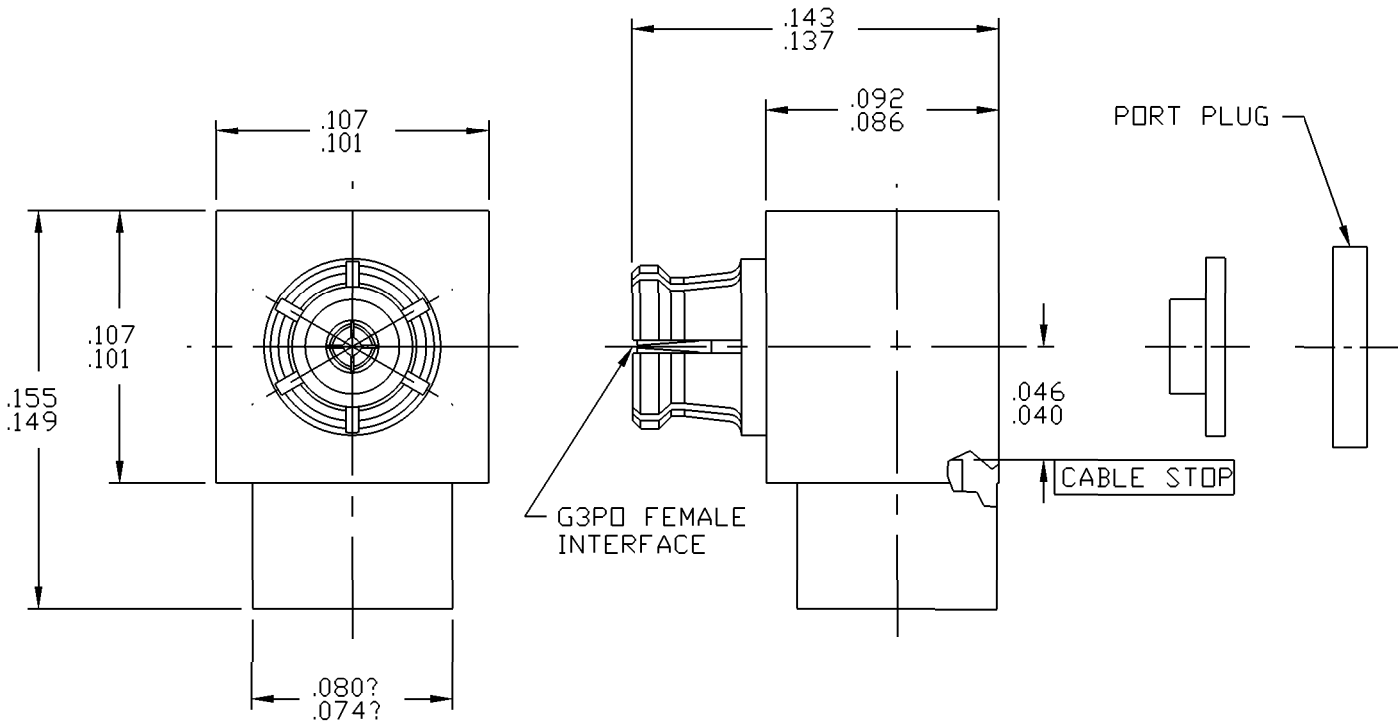
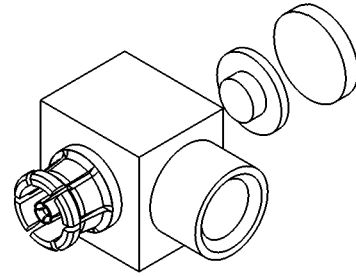
MATERIAL AND FINISH

CENTER CONTACT,
HOUSING AND,
PORT PLUG:

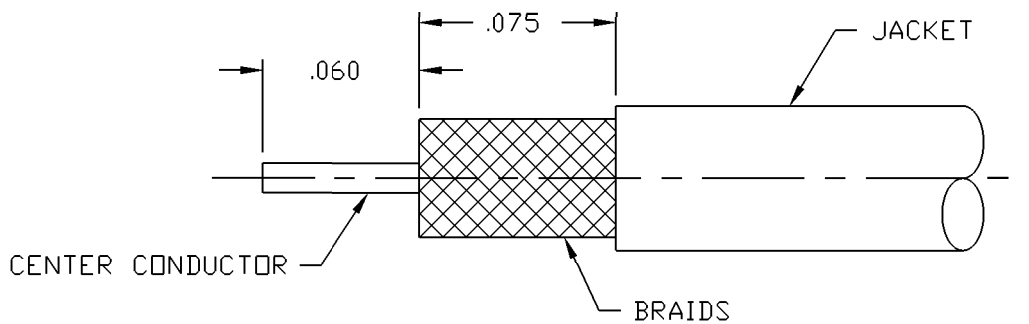
BeCu; GOLD PLATE 50-100 MICRONS
OVER NICKEL PLATE 50 MICRONS MIN.

DIELECTRICS:

VIRGIN PTFE



CABLE PREPARATION



CAUTION: THIS TECHNOLOGY UNDER U.S. EXPORT CONTROL

This drawing and any data contained herein is the property of Corning Gilbert Inc., and constitutes and contains proprietary and confidential information. Neither receipt nor possession of this drawing confers or transfers any right to duplicate, use or disclose any information contained herein except as expressly authorized by Corning Gilbert Inc.

G3PO FEMALE R/A
TO .047 FLEX CABLE

IDENT CODE:
82316

REVISION: A

Corning Gilbert Inc.

SOURCE FILE: SK-3064

DWG. NO.: DL-R015-B11-01

ASSY. PROC.: AP01-159