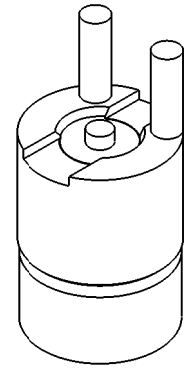
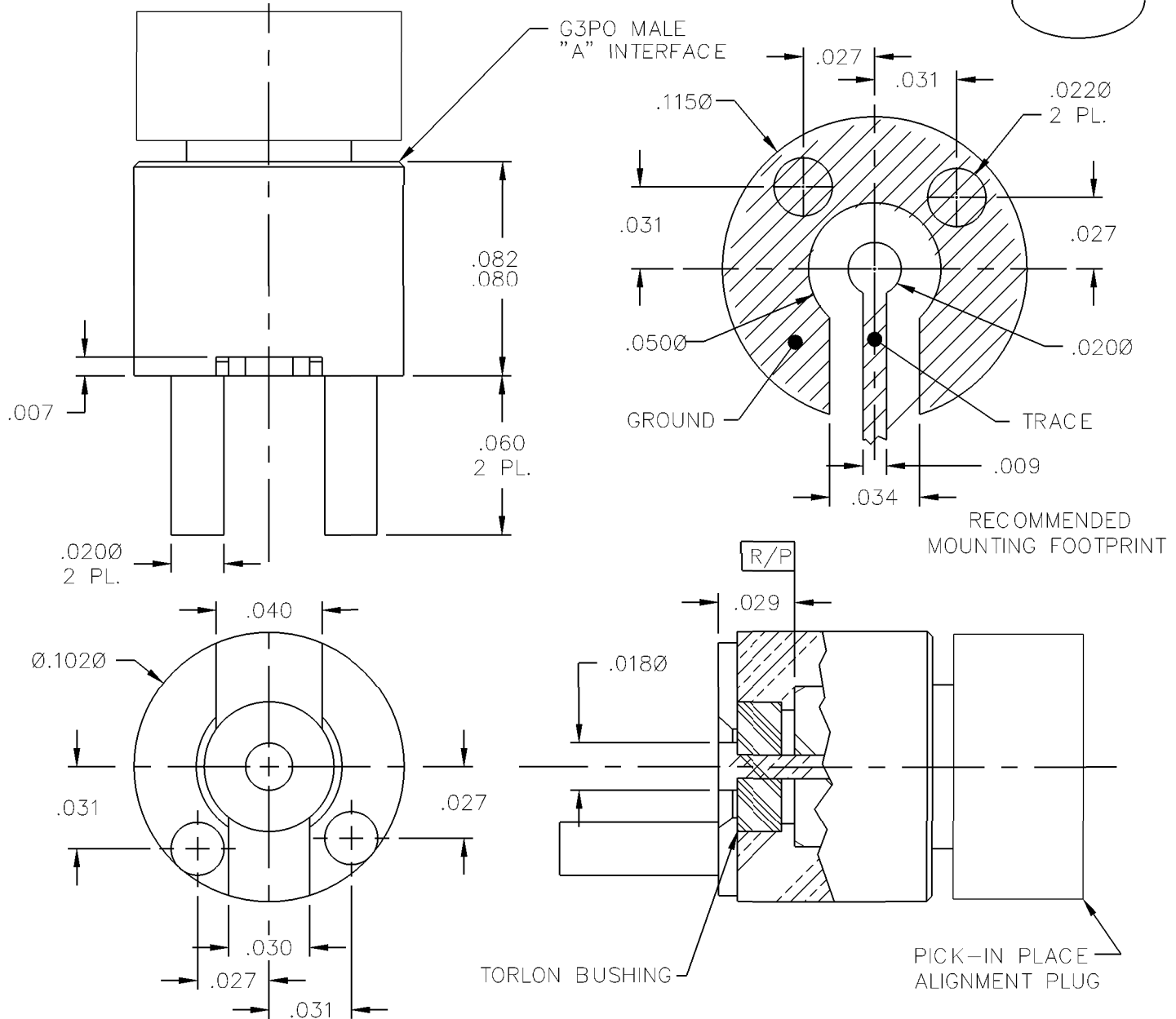


CATALOG NUMBER	"A" INTERFACE
R008-L13-01	FULL DETENT
R008-L16-01	SMOOTH BORE



MATERIAL AND FINISH

CENTER CONTACT AND HOUSING: BeCu; GOLD PLATE 75 MICRONS TYPICAL OVER NICKEL PLATE 100 MICRONS TYPICAL  
 DIELECTRIC: TORLON  
 ALIGNMENT PLUG: VIRGIN PTFE



WARNING: This document contains Technical Data whose export is restricted by the ARMS EXPORT CONTROL ACT (Title 22, U.S.C., SEC 2751, et seq.). Violations of these export laws are subject to severe criminal penalties.

This drawing and any data contained herein is the property of Corning Gilbert Inc., and constitutes and contains proprietary and confidential information. Neither receipt nor possession of this drawing confers or transfers any right to duplicate, use or disclose any information contained herein except as expressly authorized by Corning Gilbert Inc.

G3PO MALE (TAB DETENT) CATCHERS MITT PCB SHROUD WITH NAILHEAD PIN	IDENT CODE: 82316	<b>Corning Gilbert Inc.</b>
	REVISION: A3	

SOURCE FILE: SK-2522	DWG. NO.: OL-R008-L1X-01	ASSY. PROC.: -
----------------------	--------------------------	----------------