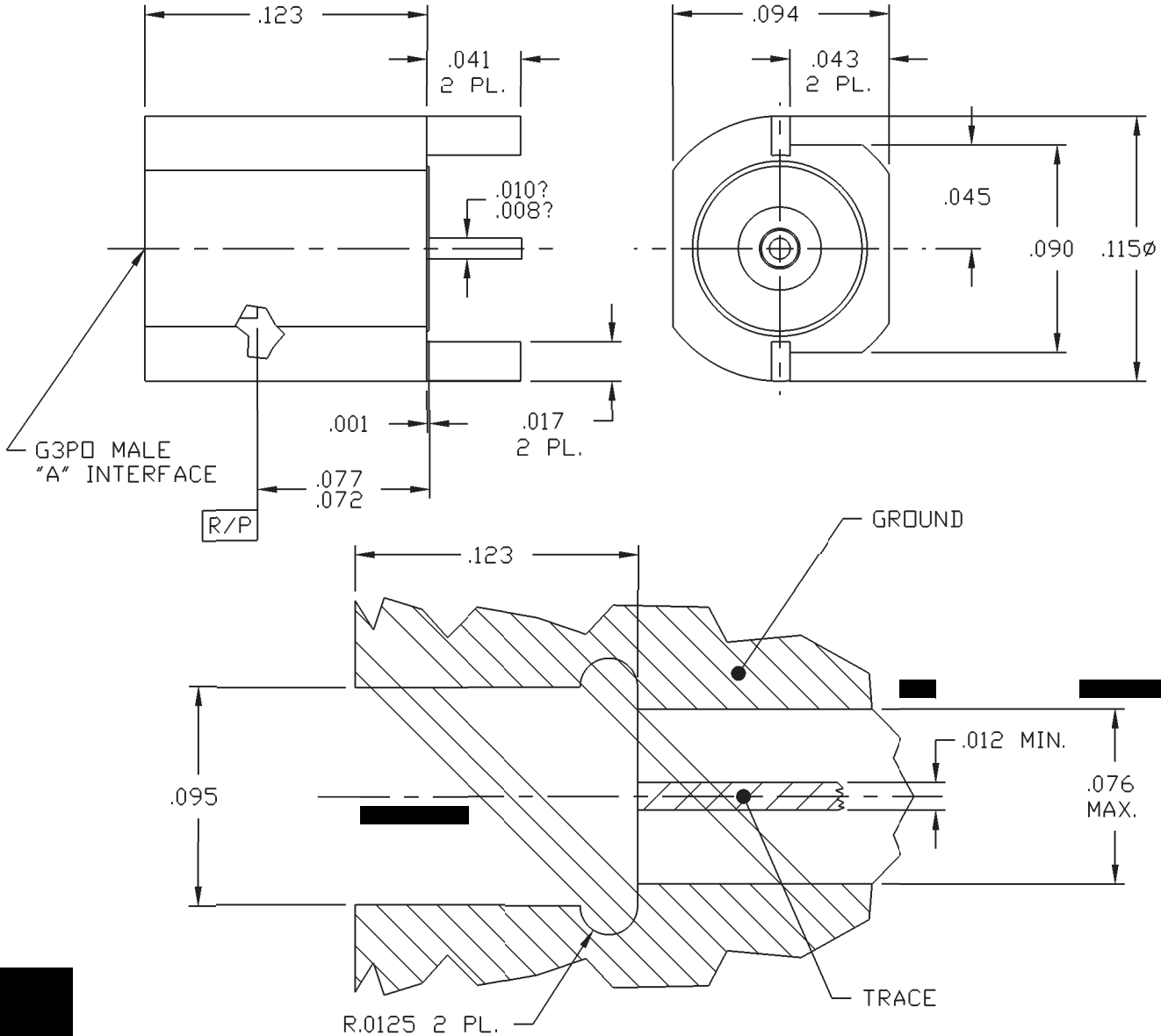
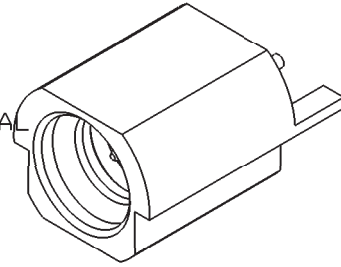


CATALOG NUMBER	"A" INTERFACE
R010-L13-03	FULL DETENT
R010-L15-03	SMOOTH BORE

MATERIAL AND FINISH

CENTER CONTACT, HOUSING, AND BUSHING: BeCu; GOLD PLATE 75 MICROINCHES TYPICAL  
OVER NICKEL PLATE 100 MICROINCHES TYPICAL

DIELECTRIC: VIRGIN PTFE



This drawing and any data contained herein is the property of Corning Gilbert Inc., and constitutes and contains proprietary and confidential information. Neither receipt nor possession of this drawing confers or transfers any right to duplicate, use or disclose any information contained herein except as expressly authorized by Corning Gilbert Inc.

G3PO MALE TO PCB  
EDGE MOUNT  
(TAB DETENT)

IDENT CODE:  
82316

REVISION: A1

Corning Gilbert Inc.

SOURCE FILE: SK-2680

DWG. NO.: OL-R010-L1X-03

ASSY. PROC.: -