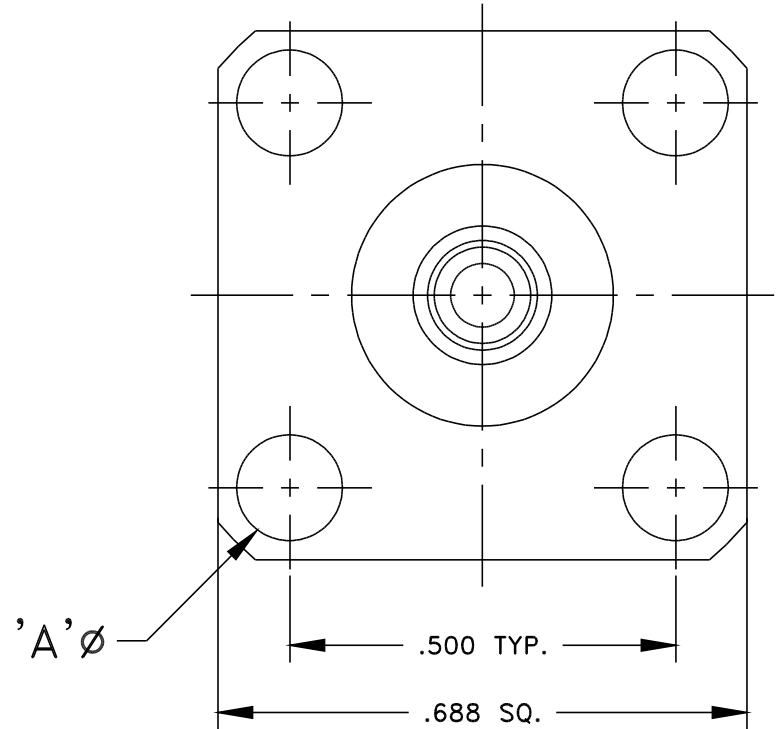
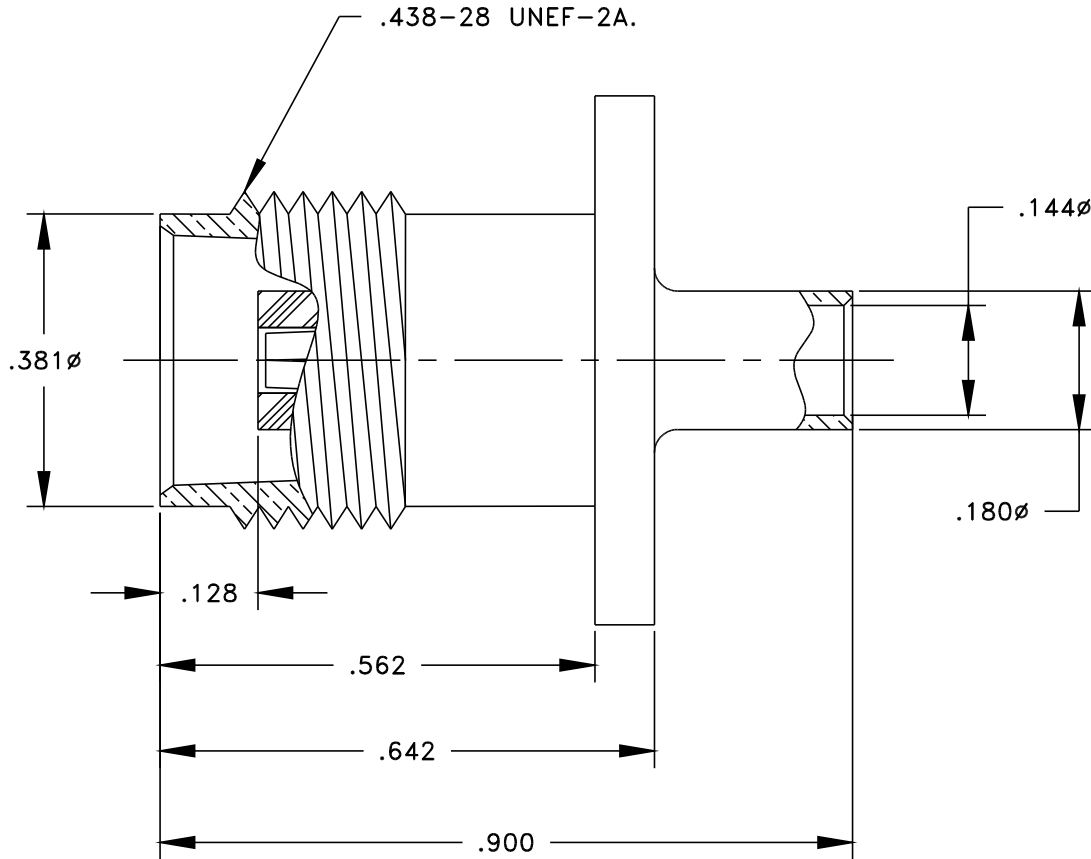


THIS DOCUMENT CONTAINS PROPRIETARY INFORMATION & MAY NOT BE REPRODUCED OR DISCLOSED TO OTHERS WITHOUT WRITTEN CONSENT FROM CONNECTRONICS, INC.

DASH #	BODY MATERIAL	BODY FINISH	CONTACT FINISH	'A'∅	CABLE:
-1	STAINLESS STEEL	GOLD	GOLD	.125	RG402/U, .141∅ SEMI-RIGID
-2	STAINLESS STEEL	GOLD	GOLD	.102	RG402/U, .141∅ SEMI-RIGID
-3	STAINLESS STEEL	GOLD	GOLD	.125	RG405/U, .085∅ SEMI-RIGID



REVISIONS

# OUTLINE DRAWING

<b>CONNECTRONICS, INC.</b> EDINBURGH, INDIANA		FSCM 43608
DWG BY: RLC		DATE: 8/16/05
APVD BY:		SCALE: NONE
MATERIAL: _____		2 PL DEC ±.020
FINISH: _____		3 PL DEC ±.005
DESCRIPTION: TNC CABLE JACK, FLANGE MNT, DIRECT SOLDER		ANG. DIM ±1/2°
		DRAWING NO. 44-549
		SHT 1 OF 1