

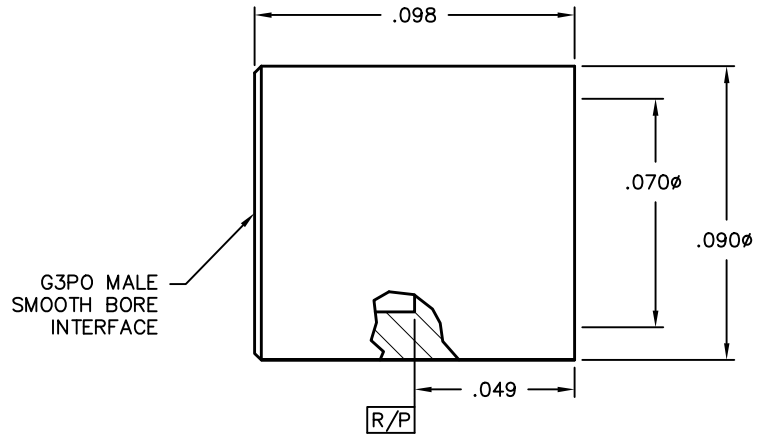
## G3PO Surface Mounts

### Male Smooth Bore Solder Attach Shroud

**Catalog Number**

R012-T95-01

Note: Recommended for use with Y071-L02-02



## G3PO Hermetic Shrouds

### Male Hermetic Shroud

**Catalog Number**

A

L Lengths

R007-L43-05-TAB-R FD .025/.030/.035/.040/.045/.050/.055/.060/.065/.070/.075

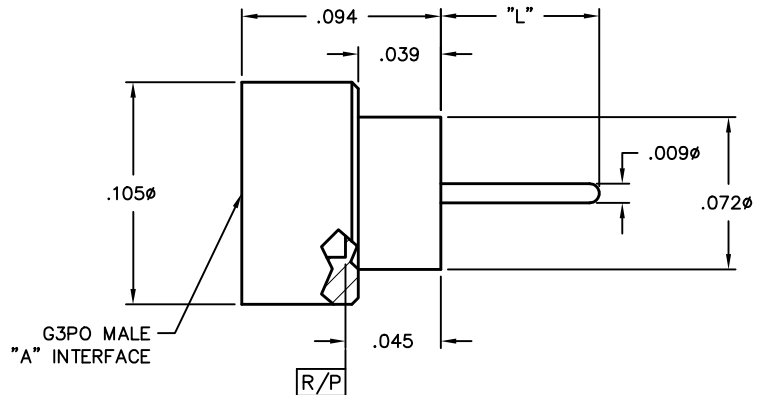
R007-L45-05-TAB-R SB .025/.030/.035/.040/.045/.050/.055/.060/.065/.070/.075

**VSWR (TYP)**

1.25:1 to 26.5 GHz

1.35:1 to 65 GHz

TAB: L x 10<sup>3</sup> inches



## G3PO Loads

### Female 50 Ohm Load

**Catalog Number**

R055-A11-01

**VSWR (TYP)**

1.20:1 to 18 GHz

1.30:1 to 40 GHz

