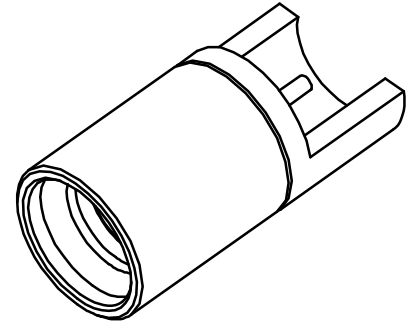
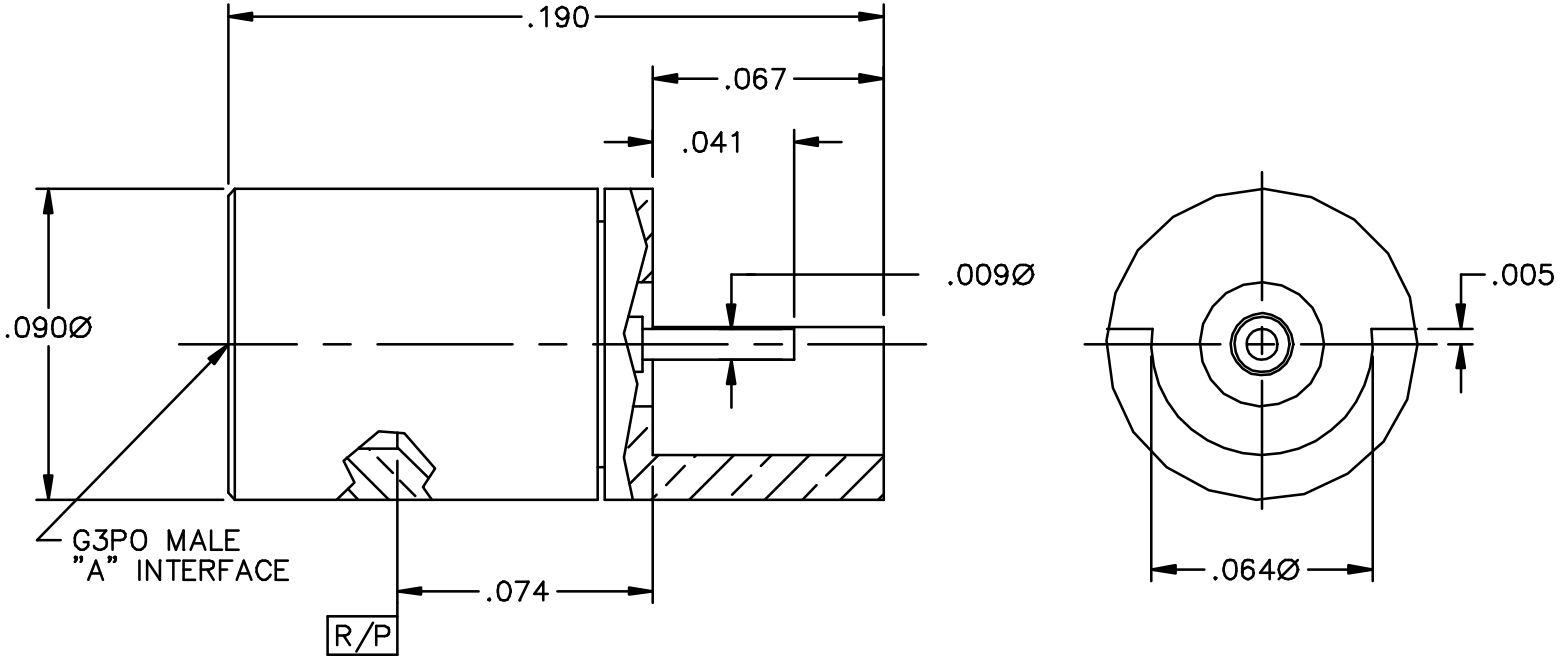


CATALOG NUMBER	"A" INTERFACE
R010-L13-01	FULL DETENT
R010-L15-01	SMOOTH BORE

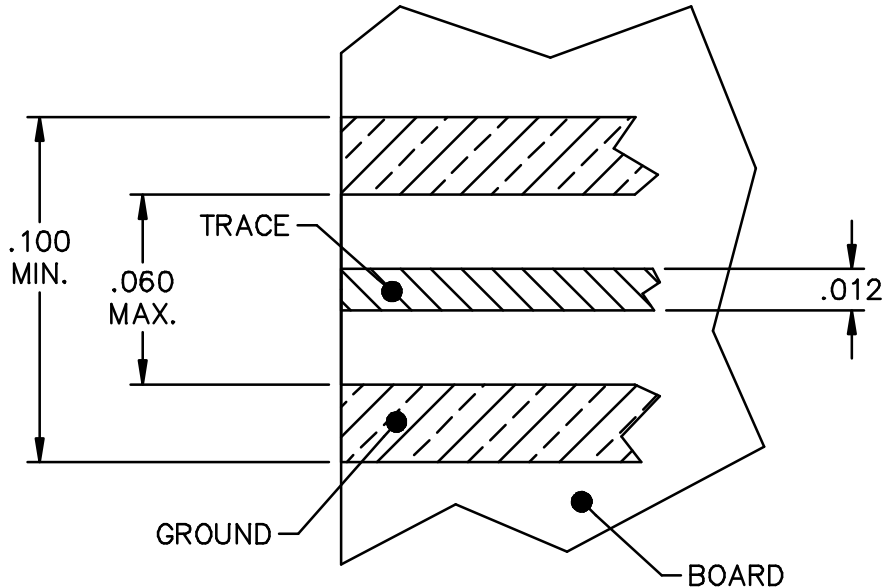


MATERIAL AND FINISH

CENTER CONTACT, AND HOUSINGS: BeCu; GOLD PLATE 50-100 MICRONS OVER NICKEL PLATE 50 MICRONS MIN.
 DIELECTRIC: VIRGIN PTFE



RECOMMENDED MOUNTING HOLE



This drawing and any data contained herein is the property of Corning Gilbert Inc., and constitutes and contains proprietary and confidential information. Neither receipt nor possession of this drawing confers or transfers any right to duplicate, use or disclose any information contained herein except as expressly authorized by Corning Gilbert Inc.

G3PO MALE
 EDGE LAUNCH
 (TAB DETENT)

IDENT CODE:
 82316

REVISION: 03

Corning Gilbert Inc.

SOURCE FILE: SK-2076

DWG. NO.: OL-R010-L1X-01

ASSY. PROC.: -