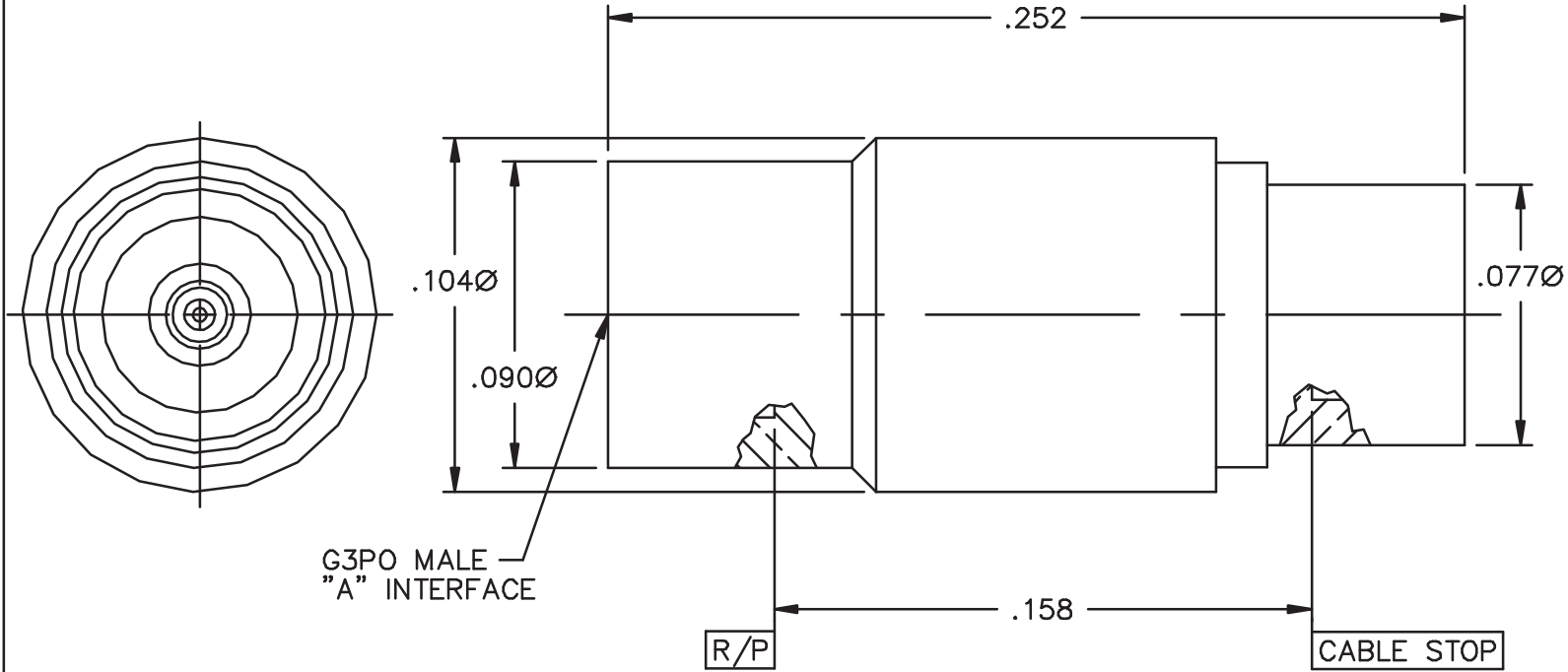
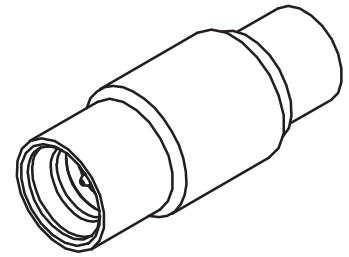


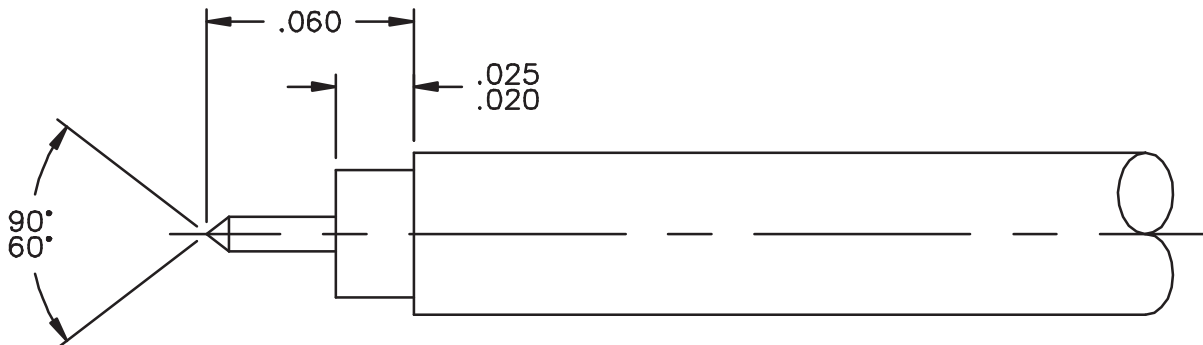
CATALOG NUMBER	"A" INTERFACE
R014-B13-01	FULL DETENT
R014-B15-01	SMOOTH BORE

MATERIAL AND FINISH

CABLE ADAPTER,
PIN CONTACT
AND HOUSING: BeCu; GOLD PLATE 50-100 MICRONS
OVER NICKEL PLATE 50 MICRONS MIN.
DIELECTRIC: VIRGIN PTFE



CABLE PREPARATION



This drawing and any data contained herein is the property of Corning Gilbert Inc., and constitutes and contains proprietary and confidential information. Neither receipt nor possession of this drawing confers or transfers any right to duplicate, use or disclose any information contained herein except as expressly authorized by Corning Gilbert Inc.

G3PO MALE
TO .047 S/R CABLE
(TAB DETENT)

IDENT CODE:
82316

REVISION: A

Corning Gilbert Inc.

SOURCE FILE: SK-2418

DWG. NO.: OL-R014-B1X-01

ASSY. PROC.: AP01-158