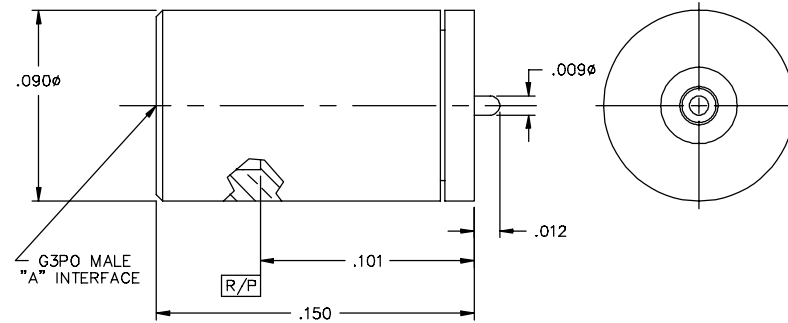
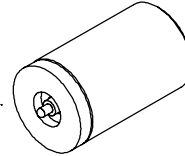


DATE REVISED: 4/7/11

CATALOG NUMBER	"A" INTERFACE
R008-L13-02	FULL DETENT
R008-L15-02	SMOOTH BORE

MATERIAL AND FINISH

CENTER CONTACT AND HOUSING: BeCu; GOLD PLATE 75 MICRO INCHES TYPICAL OVER NICKEL PLATE 100 MICRO INCHES TYPICAL.
 DIELECTRIC: VIRGIN PTFE



This drawing and any data contained herein is the property of Corning Gilbert Inc., and constitutes and contains proprietary and confidential information. Neither receipt nor possession of this drawing confers or transfers any right to duplicate, use or disclose any information contained herein except as expressly authorized by Corning Gilbert Inc.

G3PO MALE PCB THRU MOUNT (TAB DETENT)	IDENT CODE: 82316	Corning Gilbert Inc.
	REVISION: B	
SOURCE FILE: SK-2513	DWG. NO.: OL-R008-L1X-02	ASSY. PROC.: -