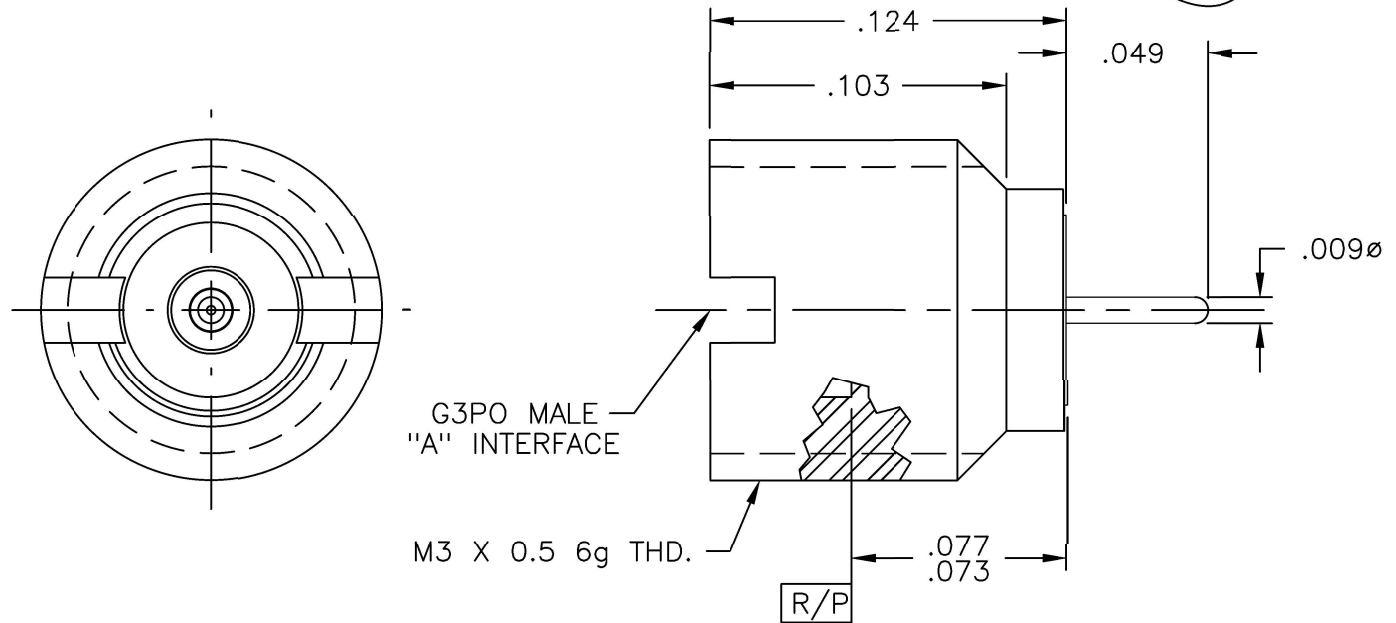
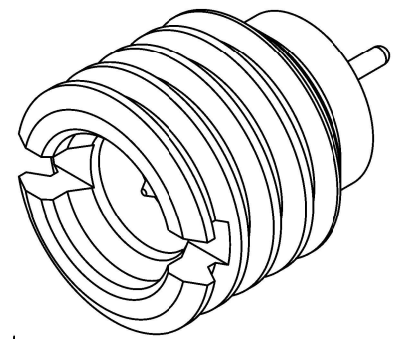


CATALOG NUMBER	"A" INTERFACE
R003-L33-01	FULL DETENT
R003-L35-01	SMOOTH BORE

MATERIAL AND FINISH
 HOUSING AND BUSHING: CRES 303; PASSIVATED
 CENTER CONTACT: BeCu; GOLD PLATE 75 MICROINCHES TYPICAL
 OVER NICKEL PLATE 100 MICROINCHES TYPICAL
 DIELECTRICS: VIRGIN PTFE



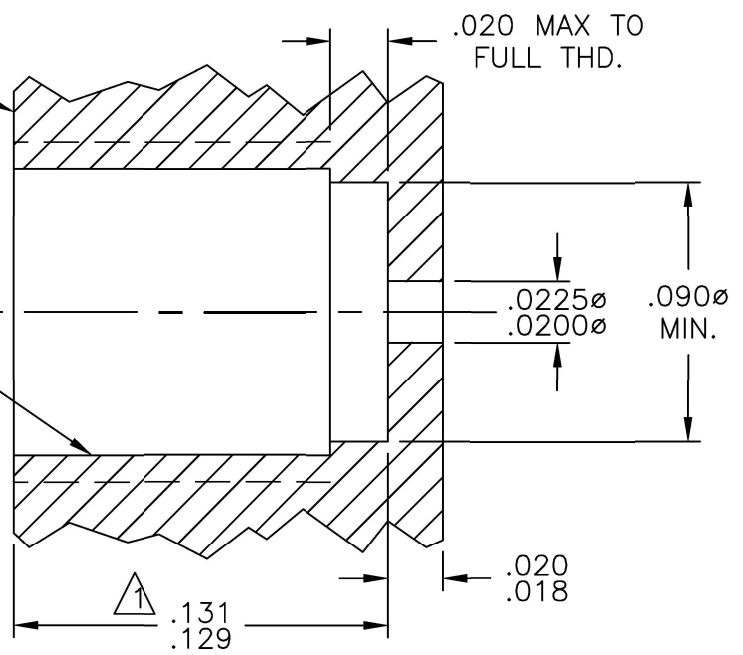
RECOMMENDED TOOLING

-THREAD-IN DRIVER
 R097-A99-01

MOUNTING SURFACE

RECOMMENDED MOUNTING HOLE

M3 X 0.5 6H



NOTES:

1. DIMENSION SHOWN IS FOR CONNECTOR FACE TO BE FLUSH TO .012 UNDER WITH MOUNTING SURFACE.
2. MOUNT CONNECTOR TO NO MORE THAN 3.5 LB-INCH IN ALUMINUM 6061 T651 HOUSING.

CORNING RESTRICTED - This drawing and any data contained herein is the proprietary and confidential information of Corning. Neither receipt nor possession of this drawing provides any right to duplicate, use, or disclose any information contained herein except with the express written consent of Corning.
 EXPORT CONTROL - This document contains information within the purview of the Export Administration Regulations (EAR), 15 CFR 730-774, and may be export controlled.

G3PO MALE THREAD-IN WITH RADIUS PIN (TAB DETENT)

IDENT CODE:
 82316
 REVISION: 01

CORNING

SOURCE FILE: SK-2909	DWG. NO.: OL-R003-L3X-01	ASSY. PROC.: -
----------------------	--------------------------	----------------