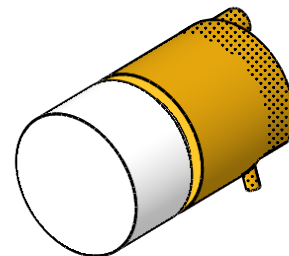


CATALOG NUMBER	"A" INTERFACE
R012-P93-02-T	FULL DETENT
R012-P95-02-T	SMOOTH BORE

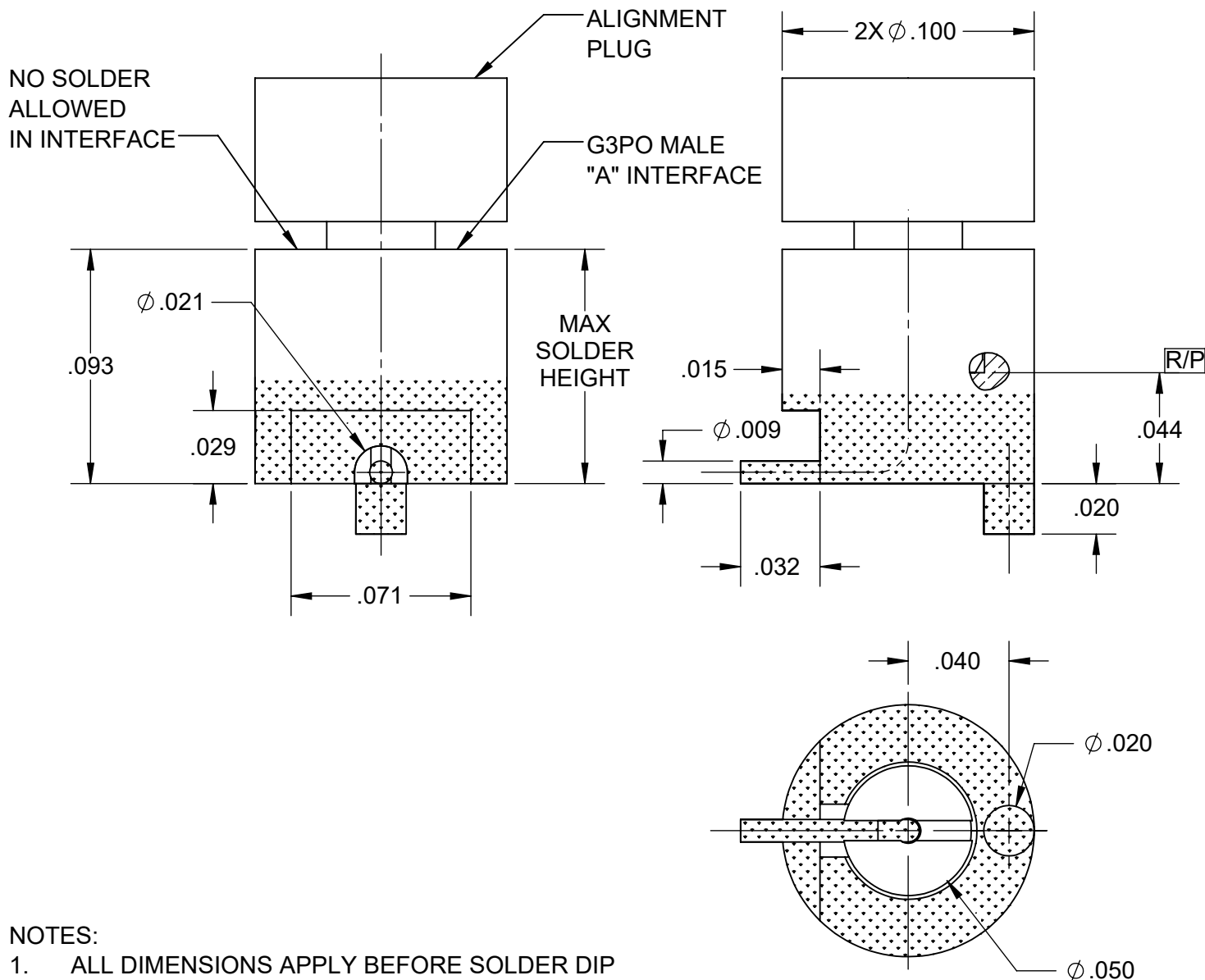


MATERIAL AND FINISH

HOUSING AND CENTER CONTACT: BeCu; GOLD PLATE 50-100 MICROINCHES OVER NICKEL PLATE 50-150 MICROINCHES

DIELECTRIC: POLYAMIDE-IMIDE

ALIGNMENT PLUG: VIRGIN PTFE



NOTES:

1. ALL DIMENSIONS APPLY BEFORE SOLDER DIP
2. SOLDER DIP USING SN63PB37

CORNING RESTRICTED - This drawing and any data contained herein is the proprietary and confidential information of Corning. Neither receipt nor possession of this drawing provides any right to duplicate, use, or disclose any information contained herein except with the express written consent of Corning.
 EXPORT CONTROL - This document contains information within the purview of the Export Administration Regulations (EAR), 15 CFR 730-774, and may be export controlled.

APPROX. WEIGHT:	0.0866 grams	SIGNATURES	INIT	DATE:
TOLERANCE:	.XX \pm .010 .XXX \pm .005 ANGULAR \pm 5°	DRAWN:	MV	7/15/20
		CHECKED:	XXX	
		APPROVED:	XXX	

G3PO MALE PCB MOUNT WITH R/A CENTER CONDUCTOR (TAB DETENT, SOLDER DIPPED)	CAGE CODE:	82316	SCALE:	16:1	CORNING	PLANT OF ORIGIN CORNING PHOENIX PLANT: (623)245-1050 CUSTOMER SERVICE: (800) 651-8869
	REVISION:	01				
SOURCE FILE: SK-6464	DWG. NO.:	OL-R012-P9X-02-T	ASSY. PROC.:	-		