

**CATALOG NUMBER**

R008-L93-01

**MATERIAL AND FINISH**

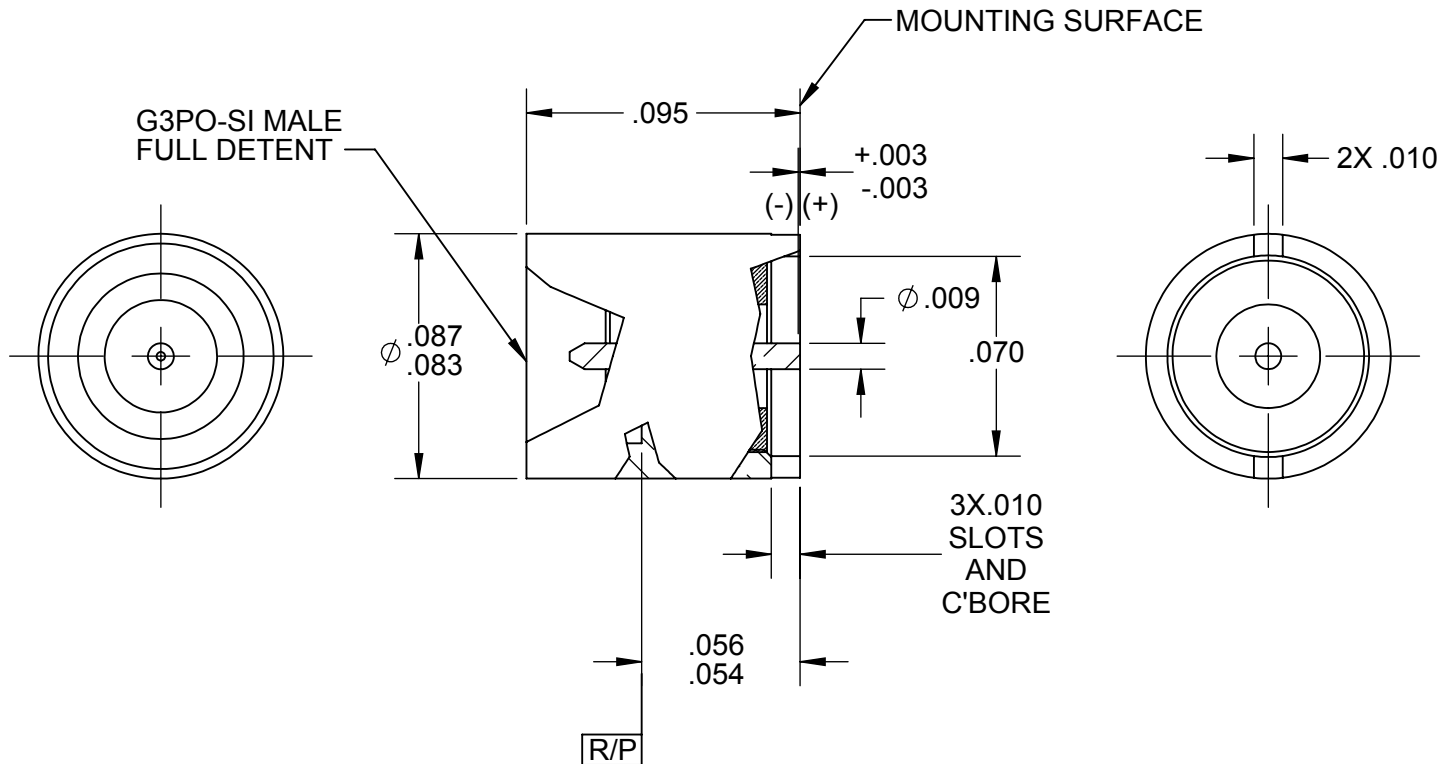
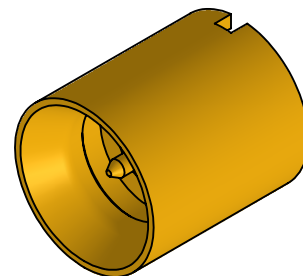
HOUSING, BUSHING,  
AND CENTER CONTACT:

BeCu; GOLD PLATE 75 MICROINCHES TYPICAL  
OVER COPPER FLASH



DIELECTRICS:

POLYAMIDE-IMIDE



**NOTES:**

1. NON-MAGNETIC PLATING. THIS CONNECTOR IS NOT TO BE USED IN STANDARD APPLICATIONS.

CORNING RESTRICTED - This drawing and any data contained herein is the proprietary and confidential information of Corning. Neither receipt nor possession of this drawing provides any right to duplicate, use, or disclose any information contained herein except with the express written consent of Corning.  
EXPORT CONTROL - This document contains information within the purview of the Export Administration Regulations (EAR), 15 CFR 730-774, and may be export controlled.

APPROX. WEIGHT: 0.0425 grams	SIGNATURES	INIT	DATE:
TOLERANCE: .XX ±.010 .XXX ±.005 ANGULAR ±5°	DRAWN: MV		10/23/19
	CHECKED:		
	APPROVED:		

<b>G3PO-SI MALE FULL DETENT PCB MOUNT (NON-MAGNETIC)</b>	CAGE CODE: 82316	SCALE: 15:1	<b>CORNING</b>	PLANT OF ORIGIN CORNING PHOENIX PLANT: (623)245-1050 CUSTOMER SERVICE: (800) 651-8869
	REVISION: 02			

SOURCE FILE: SK-6362	DWG. NO.: OL-R008-L93-01	ASSY. PROC.: -
----------------------	--------------------------	----------------