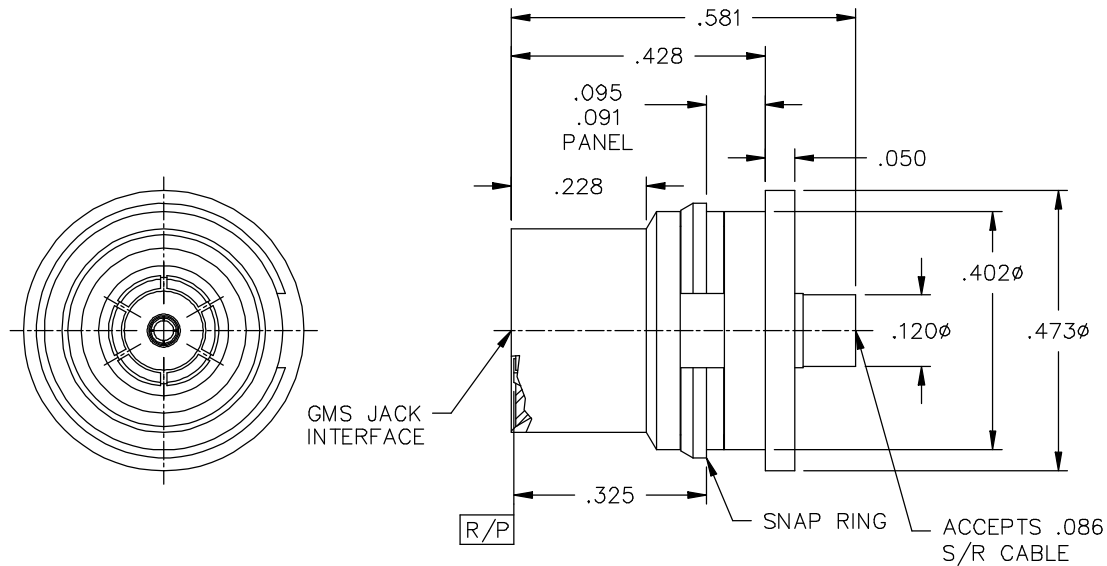
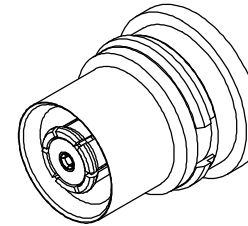


CATALOG NUMBER

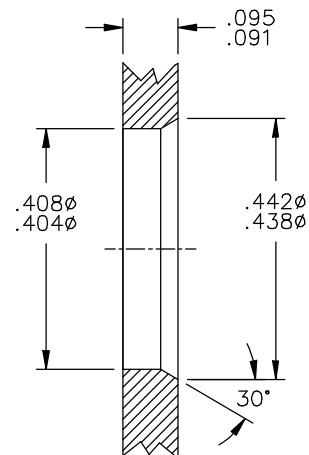
H025-D11-01

MATERIAL AND FINISH

FLANGE: CRES 303; PASSIVATED
 CENTER CONTACT AND HOUSING: BeCu; GOLD PLATE 50-100 MICROINCHES OVER NICKEL PLATE 50 MICROINCHES MIN.
 SNAP RING: BeCu; NICKEL PLATE
 DIELECTRICS: VIRGIN PTFE



MOUNTING HOLE



This drawing and any data contained herein is the property of Corning Gilbert Inc., and constitutes and contains proprietary and confidential information. Neither receipt nor possession of this drawing confers or transfers any right to duplicate, use or disclose any information contained herein except as expressly authorized by Corning Gilbert Inc.

GMS JACK
 SNAP MOUNT
 TO .086 S/R CABLE

IDENT CODE:
 82316

REVISION: A

Corning Gilbert Inc.

SOURCE FILE: MECR# 2955

DWG. NO.:

OL-H025-D11-01

ASSY. PROC.: AP18-001