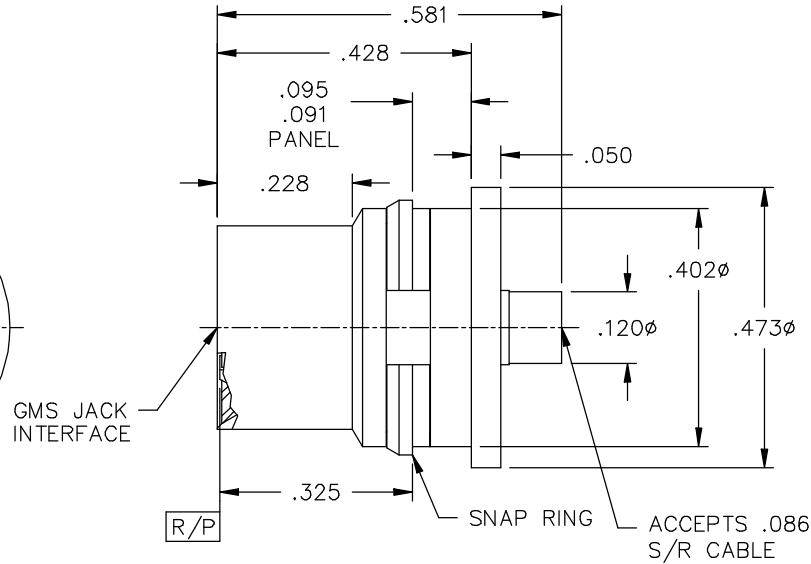
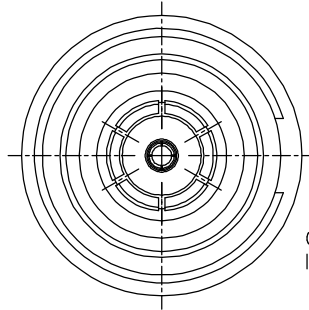
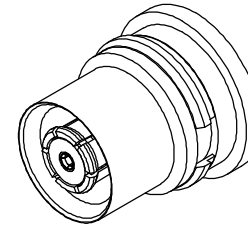


CATALOG NUMBER

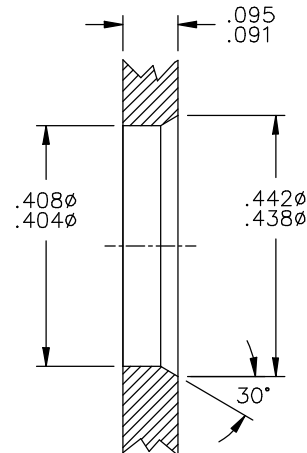
1804-221-3

MATERIAL AND FINISH

FLANGE: CRES 303; PASSIVATED  
 CENTER CONTACT AND HOUSING: BeCu; GOLD PLATE 75 MICROINCHES TYPICAL OVER NICKEL PLATE 100 MICROINCHES TYPICAL  
 SNAP RING: BeCu; NICKEL PLATE  
 DIELECTRICS: VIRGIN PTFE



MOUNTING HOLE



This drawing and any data contained herein is the property of Corning Gilbert Inc., and constitutes and contains proprietary and confidential information. Neither receipt nor possession of this drawing confers or transfers any right to duplicate, use or disclose any information contained herein except as expressly authorized by Corning Gilbert Inc.

GMS JACK  
 SNAP MOUNT  
 TO .086 S/R CABLE

IDENT CODE:  
 82316

REVISION: E2

**Corning Gilbert Inc.**

SOURCE FILE: MECR# 801

DWG. NO.:

OL-1804-221-3

ASSY. PROC.: AP18-001