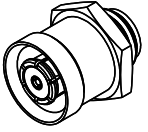
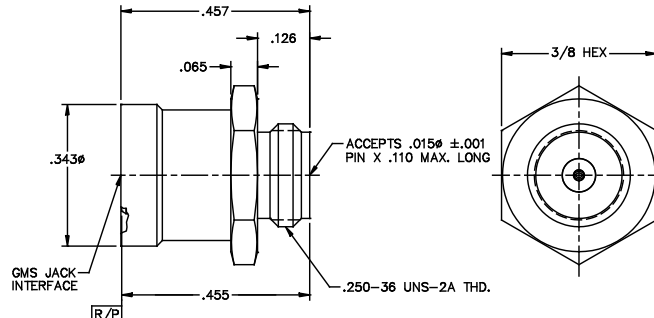
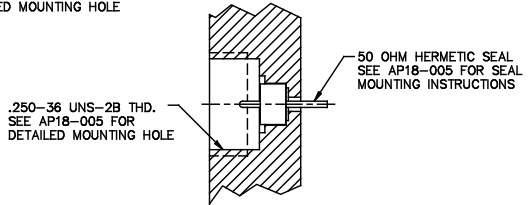


DATE REVISED: 5/19/04

CATALOG NUMBER H003-N11-01				
MATERIAL AND FINISH OUTER SHELL: CRES 303; PASSIVATED CENTER CONTACT AND OUTER CONDUCTOR: AuCu; GOLD PLATE 50-100 MICRINCHES OVER NICKEL PLATE 50 MICRINCHES MIN. DIELECTRICS: VIRGIN PTFE				
				
<p style="text-align: center;">RECOMMENDED MOUNTING HOLE</p> 				
<p style="font-size: small;">This drawing and any data contained herein is the property of Corning Gilbert Inc., and constitutes and contains proprietary and confidential information. Neither receipt nor possession of this drawing confers or transfers any right to duplicate, use or disclose any information contained herein except as expressly authorized by Corning Gilbert Inc.</p>				
GMS JACK THREAD MOUNT ACCEPTS .015 C/C	<table border="1" style="width: 100%; border-collapse: collapse;"> <tr> <td style="font-size: x-small;">IDENT CODE: 82316</td> <td rowspan="2" style="text-align: center; vertical-align: middle;">Corning Gilbert Inc.</td> </tr> <tr> <td style="font-size: x-small;">REVISION: A</td> </tr> </table>	IDENT CODE: 82316	Corning Gilbert Inc.	REVISION: A
IDENT CODE: 82316	Corning Gilbert Inc.			
REVISION: A				
SOURCE FILE: MECR# 2537	DWG. NO.: OL-H003-N11-01			
ASSY. PROC.: AP18-005				