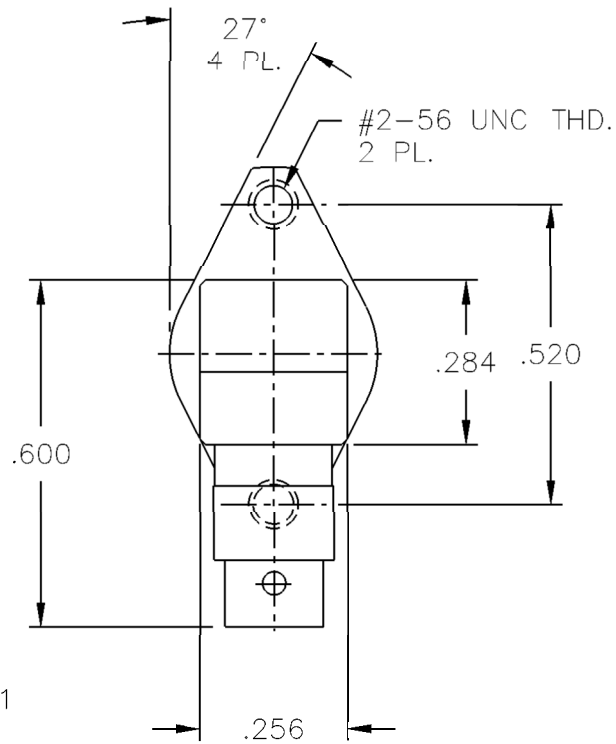
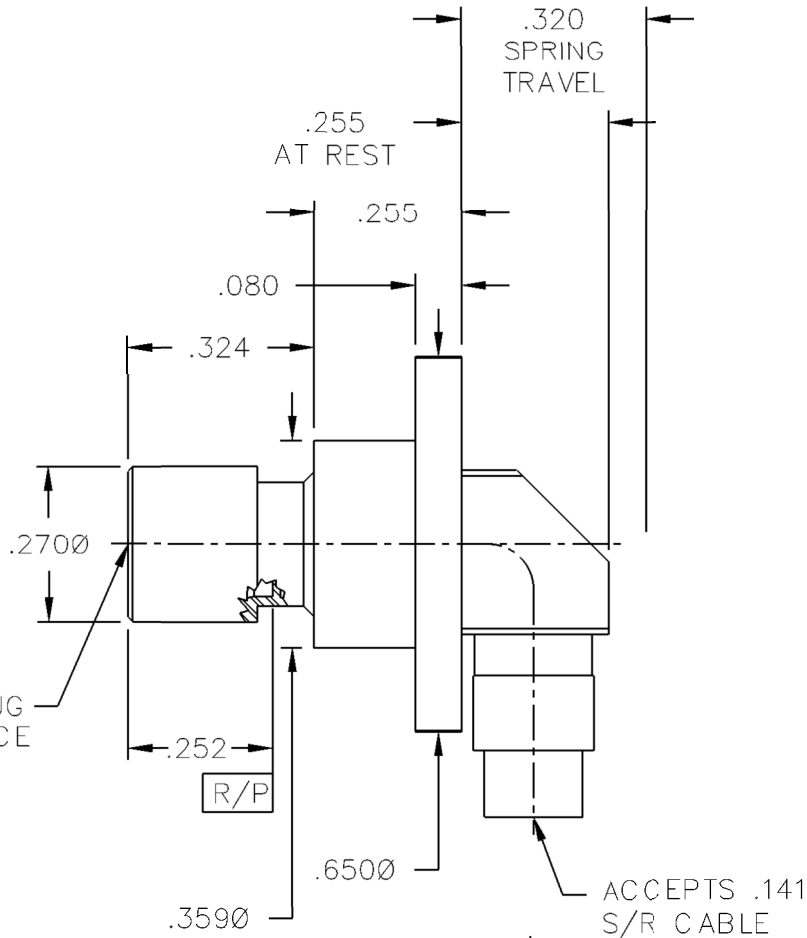
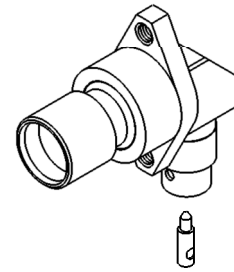


CATALOG NUMBER

1807-206-3

MATERIAL AND FINISH

HOUSINGS: CRES 303; PASSIVATED
 CONTACTS AND BeCu; GOLD PLATE 75 MICROINCHES TYPICAL
 CABLE ADAPTER: OVER NICKEL PLATE 100 MICROINCHES TYPICAL
 DIELECTRICS: VIRGIN PTFE
 SPRING: 17-7 PH STAINLESS STEEL



This drawing and any data contained herein is the property of Corning Gilbert Inc., and constitutes and contains proprietary and confidential information. Neither receipt nor possession of this drawing confers or transfers any right to duplicate, use or disclose any information contained herein except as expressly authorized by Corning Gilbert Inc.

GMS PLUG FLOAT MOUNT
 R/A FLANGE MOUNT
 ACCEPTS .141 S/R CABLE

IDENT CODE:
 82316

REVISION: F

Corning Gilbert Inc.

SOURCE FILE: SK-0970

DWG. NO.: OL-1807-206-3

ASSY. PROC.: AP18-009