

CATALOG NUMBER
0119-668-3

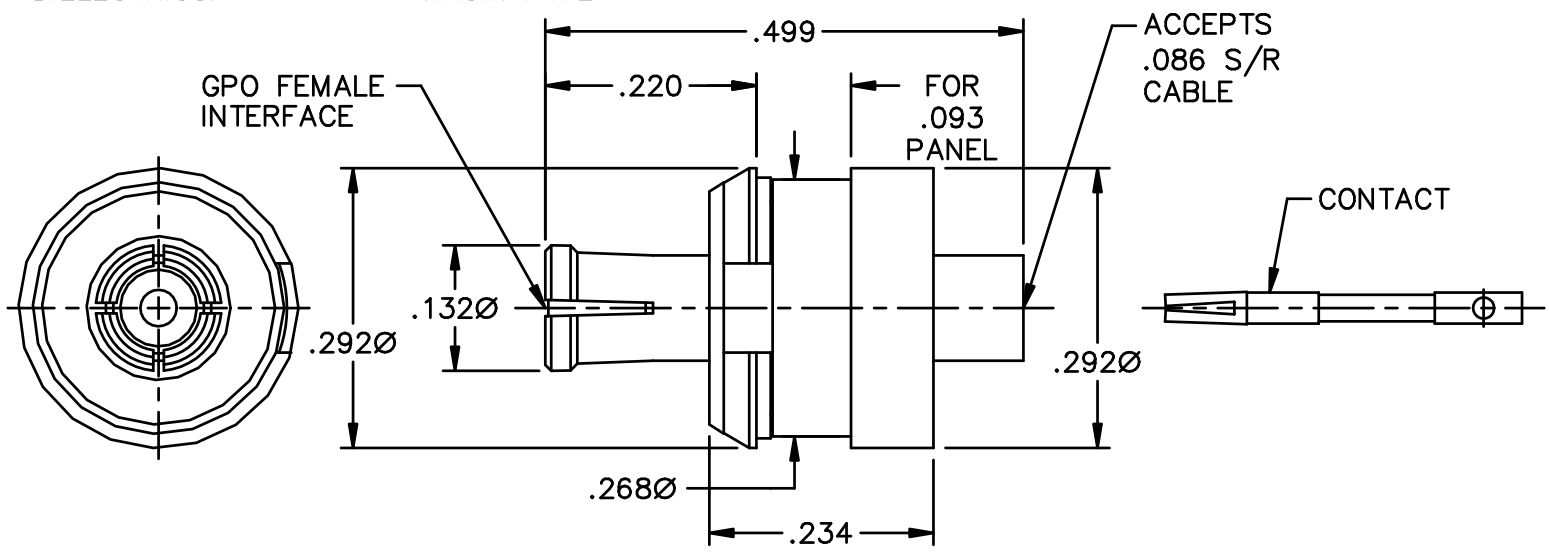
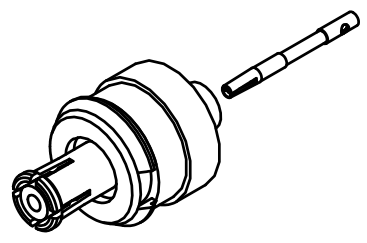
MATERIAL AND FINISH

FLOAT MOUNT, SPRING RING, AND BUSHING: CRES 303; PASSIVATED

CENTER CONTACT, CABLE ADAPTOR, GPO HOUSING, AND SNAP RING: BeCu; GOLD PLATE 50-100 MICROINCHES OVER NICKEL PLATE 50 MICROINCHES MIN.

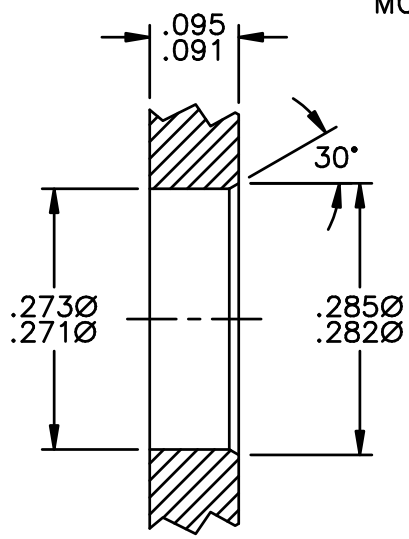
SPRING: STAINLESS STEEL 17-7 ASTM 313; PASSIVATED

DIELECTRICS: VIRGIN PTFE



EXTRACTION TOOL
- A098-A99-05.

RECOMMENDED
MOUNTING HOLE



This drawing and any data contained herein is the property of Corning Gilbert Inc., and constitutes and contains proprietary and confidential information. Neither receipt nor possession of this drawing confers or transfers any right to duplicate, use or disclose any information contained herein except as expressly authorized by Corning Gilbert Inc.

GPO FEMALE STRAIGHT
SNAP-IN FLOAT
MOUNT TO .086 S/R CABLE

IDENT CODE:
82316
REVISION: K

Corning Gilbert Inc.

SOURCE FILE: SK-1037

DWG. NO.:

SS-7504-1

ASSY. PROC.: IS-7504-1