

CATALOG NUMBER

A015-F71-01

MATERIAL AND FINISH

HOUSING, CABLE  
ADAPTER, PORT  
PLUG, CONTACTS, AND  
EMI/ANTI-ROCK RING:

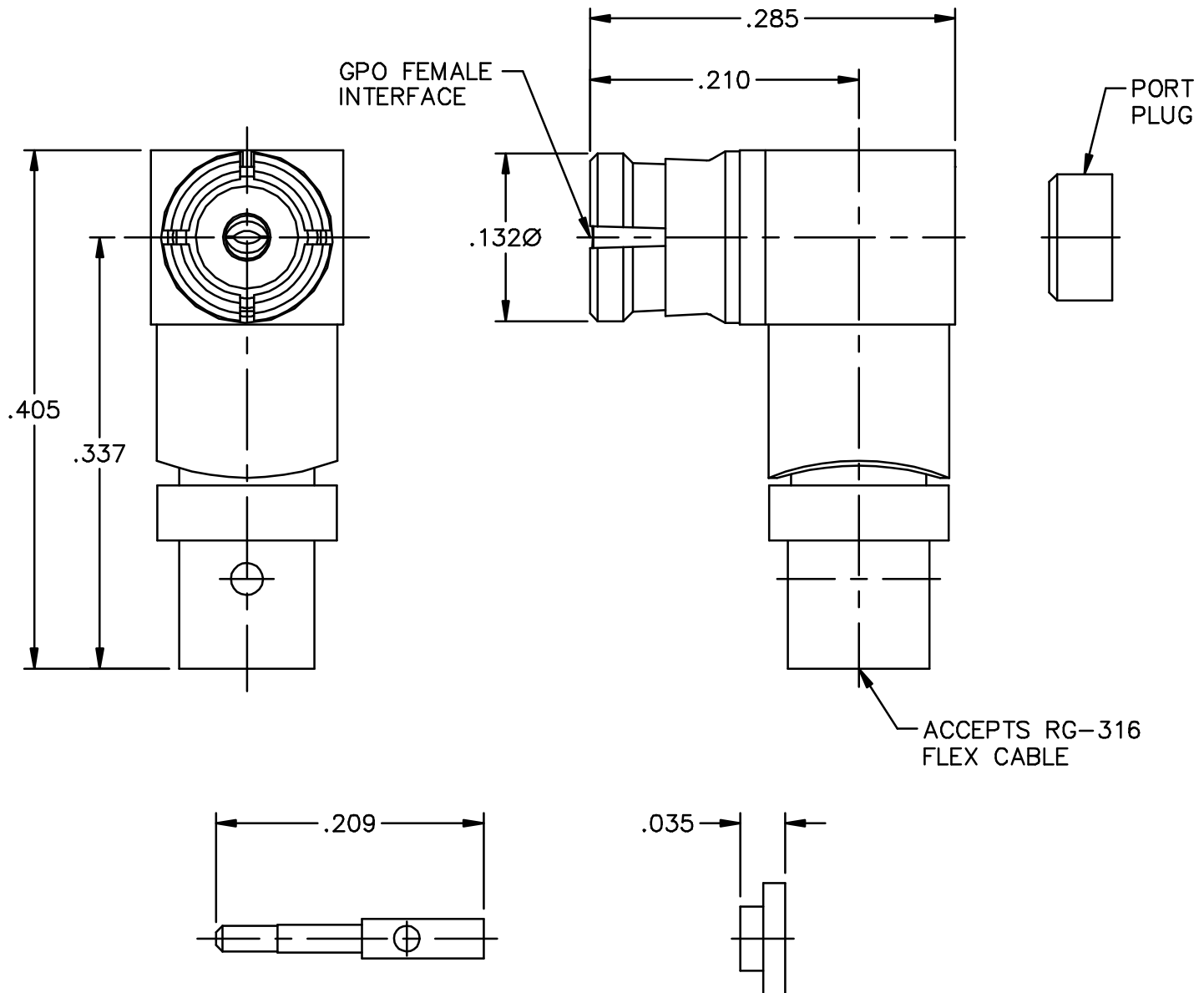
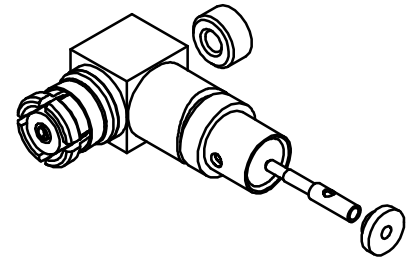
BeCu; GOLD PLATE 50-100 MICRINCHES  
OVER NICKEL PLATE 50 MICRINCHES MIN.

DIELECTRIC:

VIRGIN PTFE (TEFLON)

DIELECTRIC STOP:

TORLON (POLYAMIDE-IMIDE)



This drawing and any data contained herein is the property of Corning Gilbert Inc., and constitutes and contains proprietary and confidential information. Neither receipt nor possession of this drawing confers or transfers any right to duplicate, use or disclose any information contained herein except as expressly authorized by Corning Gilbert Inc.

GPO FEMALE R/A  
TO RG-316  
FLEX CABLE

IDENT CODE:  
82316

REVISION: C

**Corning Gilbert Inc.**

SOURCE FILE: MECR# 1988

DWG. NO.: OL-A015-F71-01

ASSY. PROC.: AP01-125