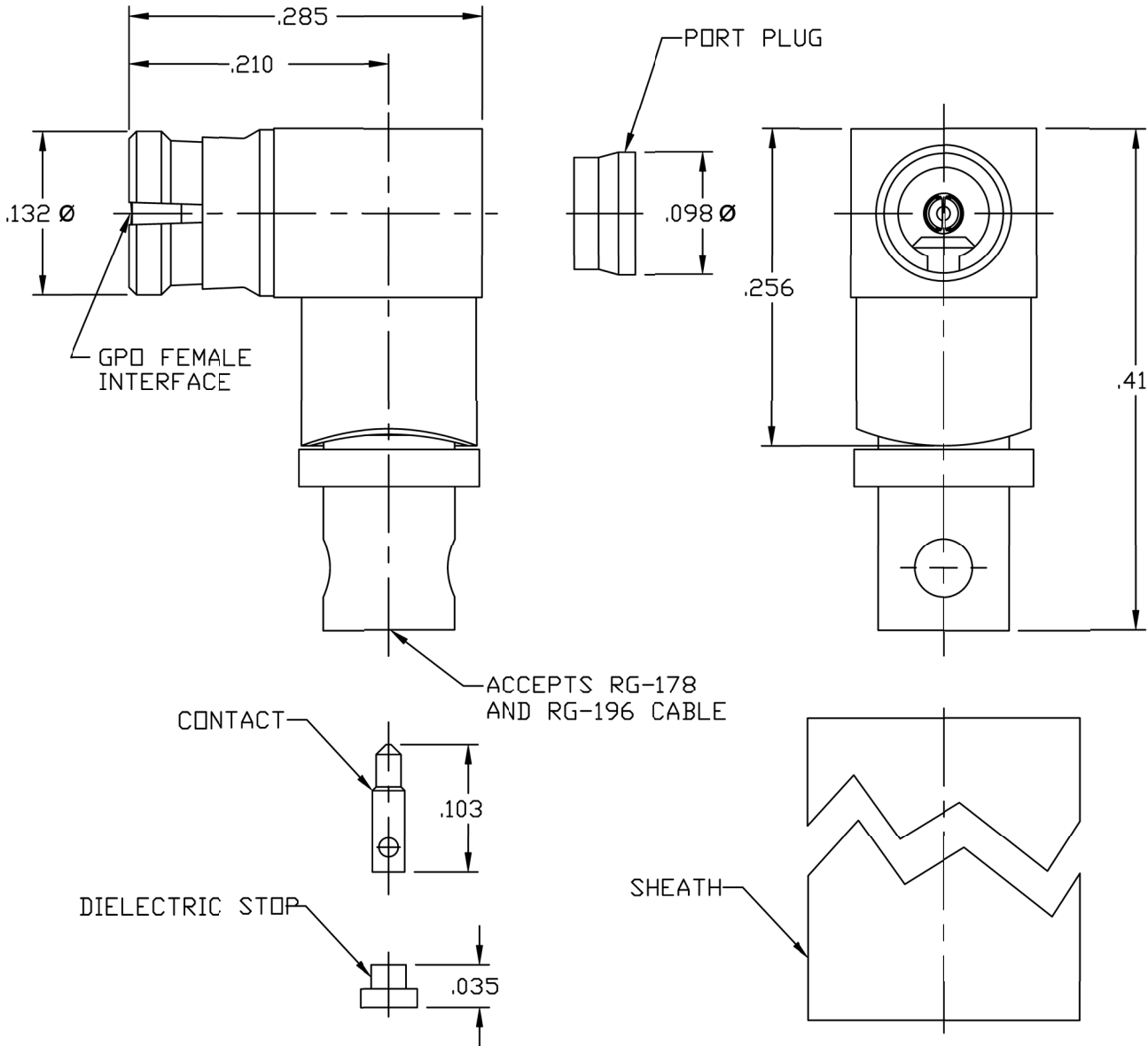
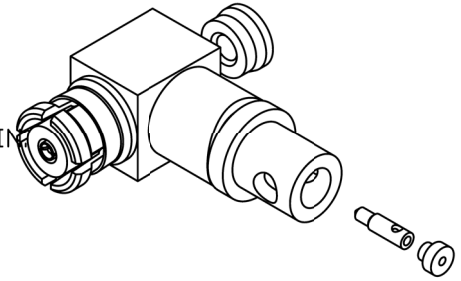


CATALOG NUMBER

0119-722-1

MATERIAL AND FINISH

HOUSING, CABLE ADAPTER, PORT PLUG, CONTACTS, AND EMI/ANTI-ROCK RING: BeCu; GOLD PLATE 50-100 MICROINCHES OVER NICKEL PLATE 50 MICROINCHES MIN
 DIELECTRIC: VIRGIN PTFE
 DIELECTRIC STOP: TORLON (POLYAMIDE-IMIDE)
 SHEATH: HEAT SHRINKABLE TUBING



This drawing and any data contained herein is the property of Corning Gilbert Inc., and constitutes and contains proprietary and confidential information. Neither receipt nor possession of this drawing confers or transfers any right to duplicate, use or disclose any information contained herein except as expressly authorized by Corning Gilbert Inc.

GPO FEMALE
 R/A TO RG-178
 AND RG-196 CABLE

IDENT CODE:
 82316
 REVISION: P

Corning Gilbert Inc.

SOURCE FILE: MECR# 413

DWG. NO.:

OL-0119-722-1

ASSY. PROC.: AP01-121