

CATALOG NUMBER

A018-B71-01

MATERIAL AND FINISH  
 FLOAT MOUNT,  
 SPRING RING,  
 AND BUSHING:

CRES 303; PASSIVATED

CENTER CONTACT,  
 CABLE ADAPTER,  
 GPO HOUSING,  
 AND SNAP RING:

BeCu; GOLD PLATE 75 MICROINCHES TYPICAL  
 OVER NICKEL PLATE 100 MICROINCHES TYPICAL

SPRING:

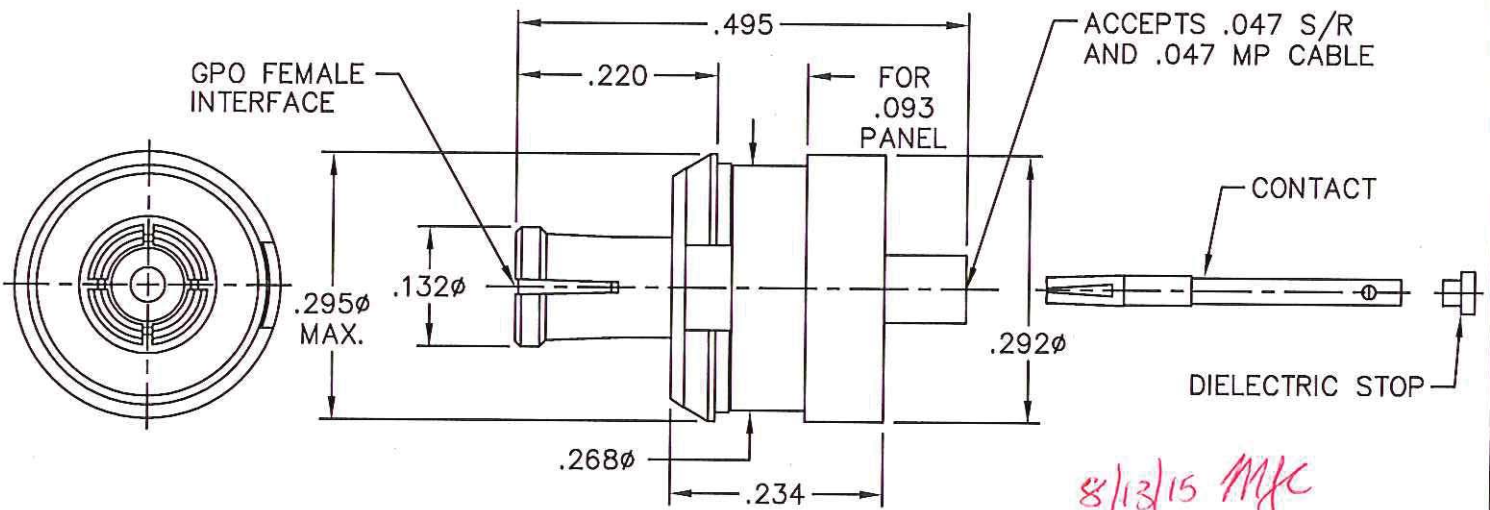
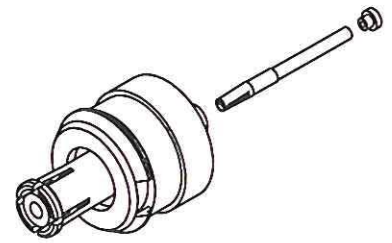
STAINLESS STEEL 17-7 ASTM 313;  
 PASSIVATED

DIELECTRIC:

VIRGIN PTFE

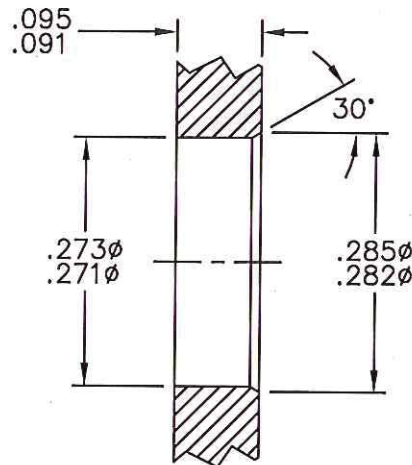
DIELECTRIC STOP:

POLYAMIDE-IMIDE



**WARNING:** This document contains Technical Data whose export is restricted by the ARMS EXPORT CONTROL ACT (Title 22, U.S.C., SEC 2751, et seq.). Violations of these export laws are subject to severe criminal penalties.

EXTRACTION TOOL  
 - A098-A99-05.



RECOMMENDED  
 MOUNTING HOLE

This drawing and any data contained herein is the property of Corning Gilbert Inc., and constitutes and contains proprietary and confidential information. Neither receipt nor possession of this drawing confers or transfers any right to duplicate, use or disclose any information contained herein except as expressly authorized by Corning Gilbert Inc.

GPO FEMALE STRAIGHT  
 SNAP-IN FLOAT MOUNT TO  
 .047 S/R AND .047 MP S/R CABLE

IDENT CODE:  
 82316

REVISION: D

Corning Gilbert Inc.

SOURCE FILE: MECR# 3714

DWG. NO.: OL-A018-B71-01

ASSY. PROC.: IS-7822-1

Date: Released

Date: 8/13/2015 01:43PM

Component: OL A018 B71 01 PDF Version: 5

OCS PLM CONTROLLED