

CATALOG NUMBER

0119-930-1

MATERIAL AND FINISH

HOUSING, EMI/ANTI-ROCK RING, AND CENTER CONTACT:

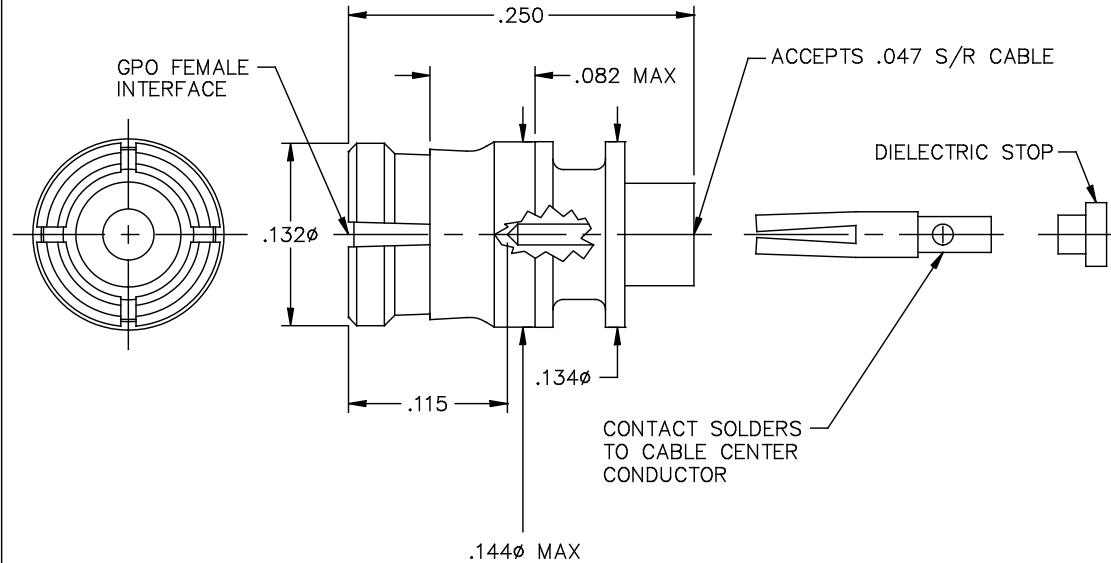
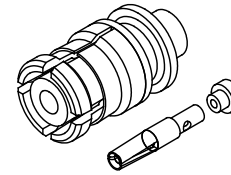
BeCu; GOLD PLATE 75 MICROINCHES TYPICAL OVER NICKEL PLATE 100 MICROINCHES TYPICAL.

DIELECTRIC:

VIRGIN PTFE

DIELECTRIC STOP:

POLYAMIDE-IMIDE



This drawing and any data contained herein is the property of Corning Gilbert Inc., and constitutes and contains proprietary and confidential information. Neither receipt nor possession of this drawing confers or transfers any right to duplicate, use or disclose any information contained herein except as expressly authorized by Corning Gilbert Inc.

GPO FEMALE STRAIGHT
TO .047 S/R CABLE
SOLDER ATTACH C/C

IDENT CODE:
82316
REVISION: H

Corning Gilbert Inc.

SOURCE FILE: MECR# 388

DWG. NO.:

OL-0119-930-1

ASSY. PROC.: AP01-002