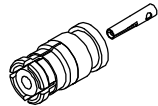
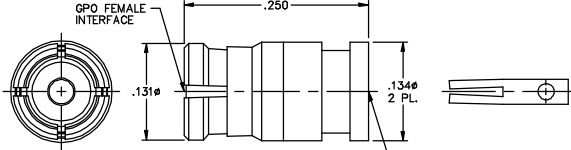
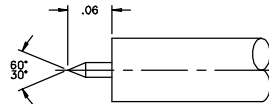


DATE REVISED: 2/28/03

CATALOG NUMBER		
A014-D11-02		
MATERIAL AND FINISH		
CENTER CONTACT, EMI/ANTI-ROCK RING AND HOUSING:	BeCu: GOLD PLATE 50-100 MICRONCHES OVER NICKEL PLATE 50 MICRONCHES MIN.	
DIELECTRIC:	VIRGIN PTFE (TEFLON)	
		
		
ACCEPTS .086 S/R MP CABLE		
CABLE PREPARATION		
		
This drawing and any data contained herein is the property of Corning Gilbert Inc., and constitutes and contains proprietary and confidential information. Neither receipt nor possession of this drawing confers or transfers any right to duplicate, use or disclose any information contained herein except as expressly authorized by Corning Gilbert Inc.		
GPO FEMALE STRAIGHT TO .086 S/R MP CABLE SOLDER ATTACH C/C	IDENT CODE: 82316 REVISION: A	<b>Corning Gilbert Inc.</b>
SOURCE FILE: MECR# 2126	DWG. NO.: OL-A014-D11-02	