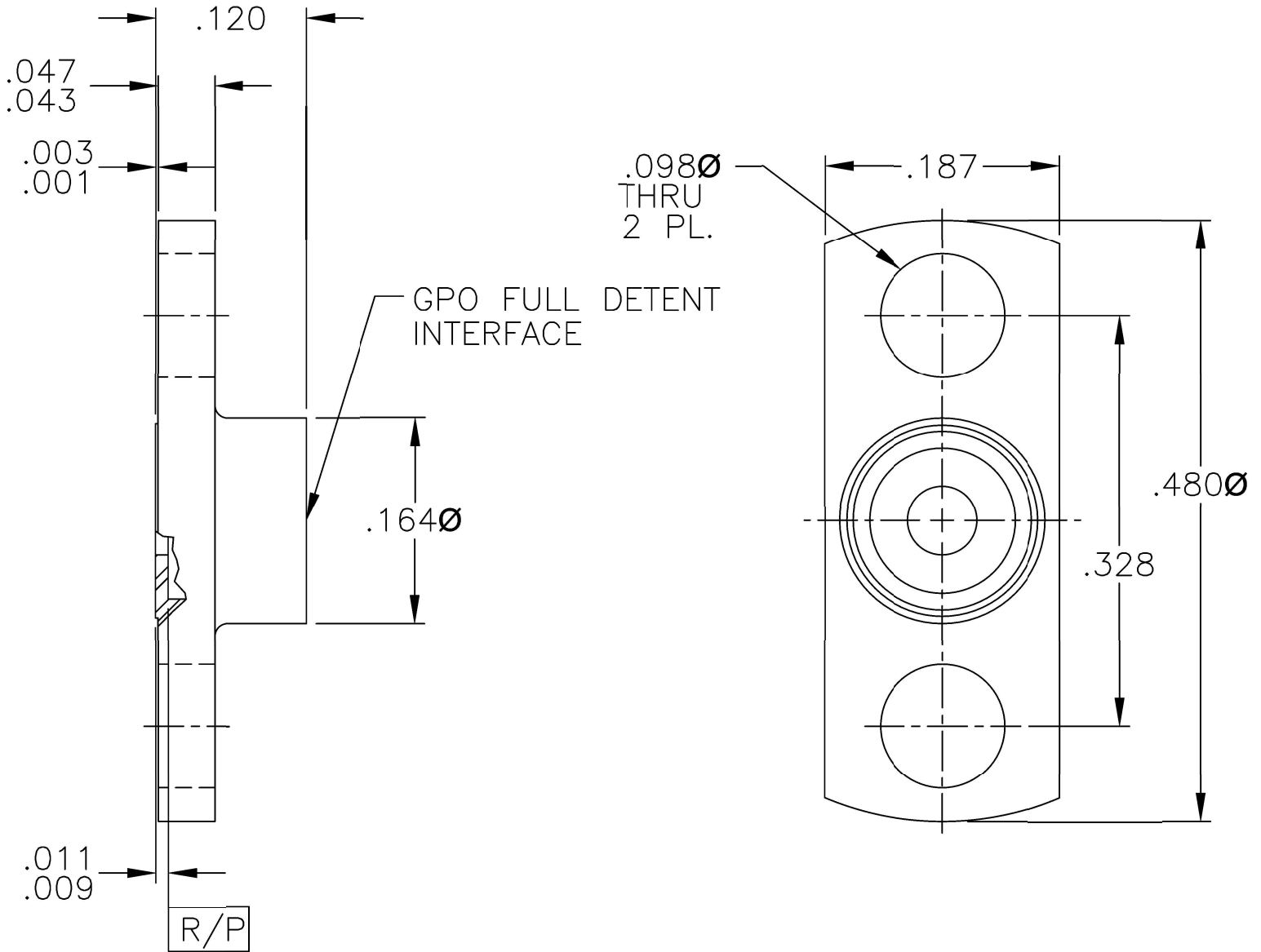


REV.	DESCRIPTION	DATE	BY
A	SEE ECO GM-9940	6/24/99	MJC

MATERIAL AND FINISH

SHROUD:

CRES 303 PER ASTM A 484
AND ASTM A 582 OR ASTM A 555
AND ASTM A 581. PASSIVATE PER
MIL-F-14072 E300.



This drawing and any data contained therein is the property of Gilbert Engineering Co., Inc., and constitutes and contains proprietary and confidential information. Neither receipt nor possession of this drawing confers or transfers any right to duplicate, use, or disclose any information contained herein except as expressly authorized by Gilbert Engineering Co. Inc.

ALL DIMENSIONS ARE IN INCHES

CAT. NO. 0119-946-3-LH

CODE IDENT NO. 82316

GILBERT ENGINEERING CO., INC.

BY	DATE
DRAWN: MJC	6/24/99
ASSEMBLY PROCEDURES: NONE	SCALE: 8 : 1

TITLE	OUTLINE DRAWING FOR GPO FULL DETENT SHROUD (LIMITED HUB)
DWG. NO.	OL-0119-946-3-LH
REV	A

SOURCE FILE: MECR# 830

SHT. 1 OF 1

Date: 11/17/2021 02:17PM Component: OL01199463LH.DWG, Version: 2