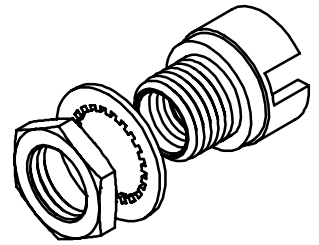
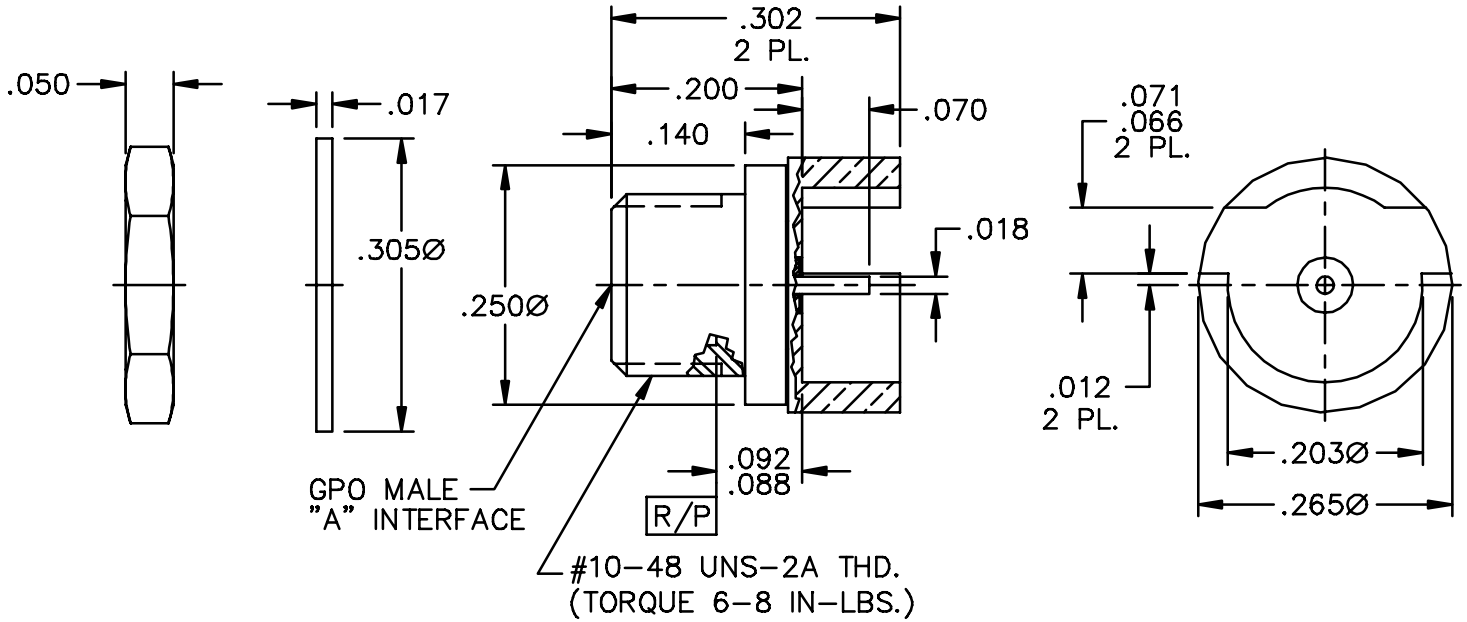


CATALOG NUMBER	"A" INTERFACE
A010-L33-04	FULL DETENT
A010-L34-04	LIMITED DETENT
A010-L35-04	SMOOTH BORE

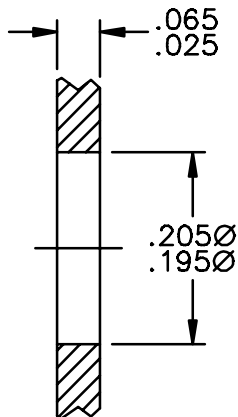


MATERIAL AND FINISH

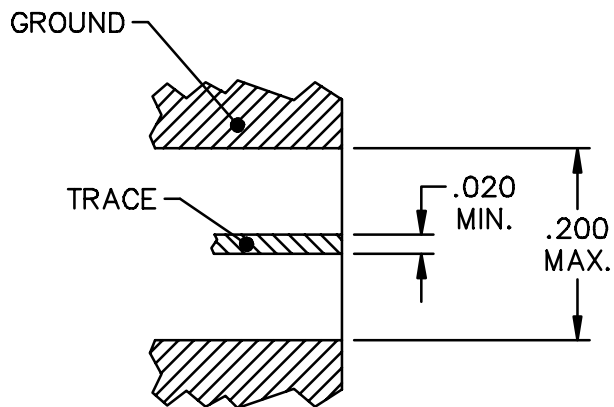
GPO HOUSING AND NUT: CRES 303; PASSIVATED
 CENTER CONTACT AND BACK SHELL: BeCu; GOLD PLATE 50-100 μ INCHES OVER NICKEL PLATE 50 μ INCHES MIN.
 DIELECTRICS: VIRGIN PTFE (TEFLON)
 LOCK WASHER: 400 SERIES STAINLESS STEEL



RECOMMENDED MOUNTING HOLE



MOUNTING FOOTPRINT



GPO MALE EDGE MOUNT WITH LOCK WASHER AND MOUNTING NUT (TAB DETENT)

IDENT CODE:
82316

REVISION: A

GILBERT ENGINEERING

SOURCE FILE: MECR# 1896

DWG. NO.: OL-A010-L3X-04

ASSY. PROC.: -