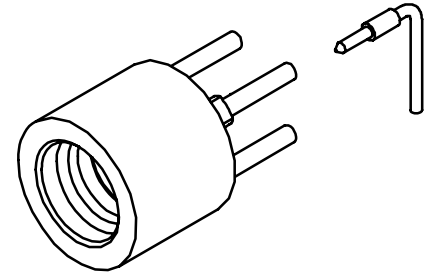
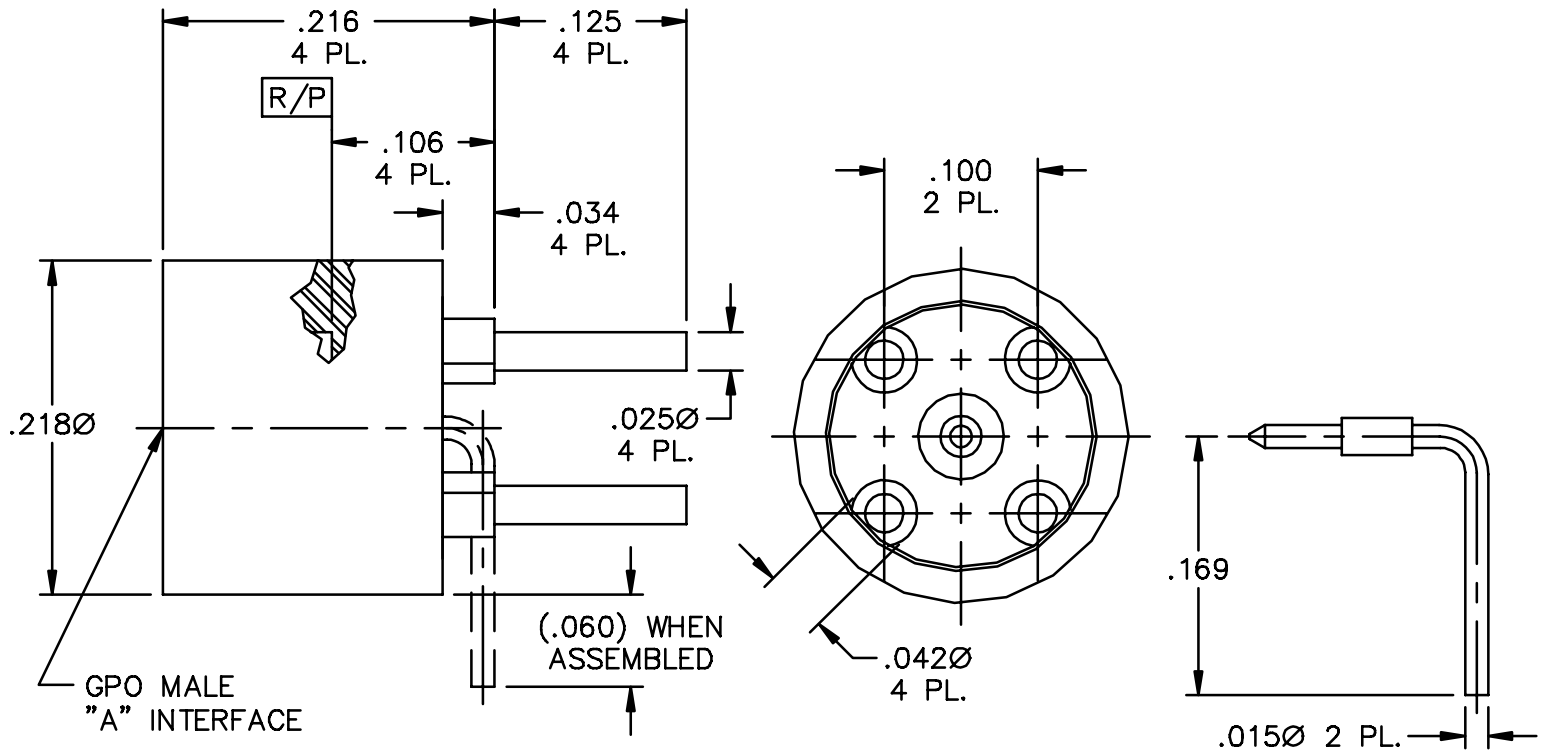


CATALOG NUMBER	"A" INTERFACE
A008-P33-01	FULL DETENT
A008-P34-01	LIMITED DETENT
A008-P35-01	SMOOTH BORE

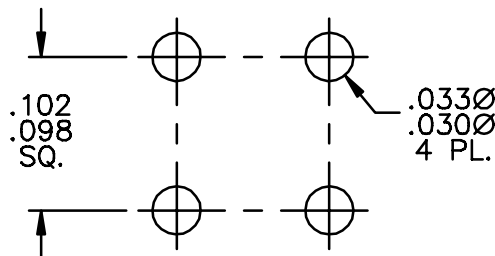


MATERIAL AND FINISH

HOUSING: CRES 303; PASSIVATED
 CENTER CONTACT AND BUSHING: BeCu; GOLD PLATE 50-100 μ INCHES OVER NICKEL PLATE 50 μ INCHES MIN.
 DIELECTRIC: VIRGIN PTFE (TEFLON)



RECOMMENDED MOUNTING HOLES



GPO MALE STRAIGHT TO P.C. WITH SEPARATE R/A PIN (TAB DETENT)

IDENT CODE: 82316

REVISION: A

GILBERT ENGINEERING

SOURCE FILE: MECR# 1729

DWG. NO.: OL-A008-P3X-01

ASSY. PROC.: -